



F511E
Hardware User Manual

F511E Day/Night Box IP Camera

Hardware User Manual

-Contents-

CHAPTER 1. SAFETY INSTRUCTION	2
CHAPTER 2. INTRODUCTION	4
CHAPTER 3. PACKAGE CONTENTS	5
CHAPTER 4. PHYSICAL DESCRIPTION	6
CHAPTER 5. BASIC CONNECTION	8
5.1 WITHOUT POE CONNECTION	8
5.2 WITH POE CONNECTION	8
CHAPTER 6. APPLICATION.....	9

Hardware User Manual

Chapter 1. Safety Instruction

➤ **Before you use this product**

This product has been designed with safety in mind. However, the electrical products can cause fires which may lead to serious body injury if not used properly. To avoid such accidents, be sure to heed the following.

➤ **Legal Caution**

Video and audio surveillance can be forbidden by laws that vary from country to country. Check the laws in your local region before using this product for surveillance purposes.

➤ **Don't open the housing of the product**

Don't try to open the housing or remove the covers which may expose yourself to dangerous voltage or other hazards.

➤ **Don't use the accessories not recommend by the manufacturer**

➤ **Heed the safety precautions**

Be sure to follow the general safety precautions and the "Operation Notice."

➤ **Operation Notice - Operating or storage location**

Avoid operating or storing the camera in the following locations:

- Extremely hot or cold places
(Operating temperature: 0 °C to + 50 °C [32 °F to 122°F])
- Exposed to direct sunlight for a long time, or close to heating equipment (e.g., near heaters)
- Close to water (e.g., near a bathtub, kitchen sink, laundry tub)
- Close to sources of strong magnetism
- Close to sources of powerful electromagnetic radiation, such as radios or TV transmitters
- Locations subject to strong vibration or shock

➤ **In case of a breakdown**

In case of system breakdown, discontinue use and contact your authorized dealer.

➤ **In case of abnormal operation**

- If the unit emits smoke or an unusual smell,
- If water or other foreign objects enter the cabinet, or
- If you drop the unit or damage the cabinet: 1 Disconnect the cable and the connecting cables. 2 Contact your authorized dealer or the store where you purchased the product.

➤ **Transportation**

When transporting the camera, repack it as originally packed at the factory or in materials of equal quality.

➤ **Ventilation**

To prevent heat buildup, do not block air circulation around the device.

➤ **Cleaning**

- Use a soft, dry cloth to clean the external surfaces of the device. Stubborn stains can be removed using a soft cloth dampened with a small quantity of detergent solution, then wipe dry.
- Do not use volatile solvents such as alcohol, benzene or thinners as they may damage the surface.

Chapter 2. Introduction

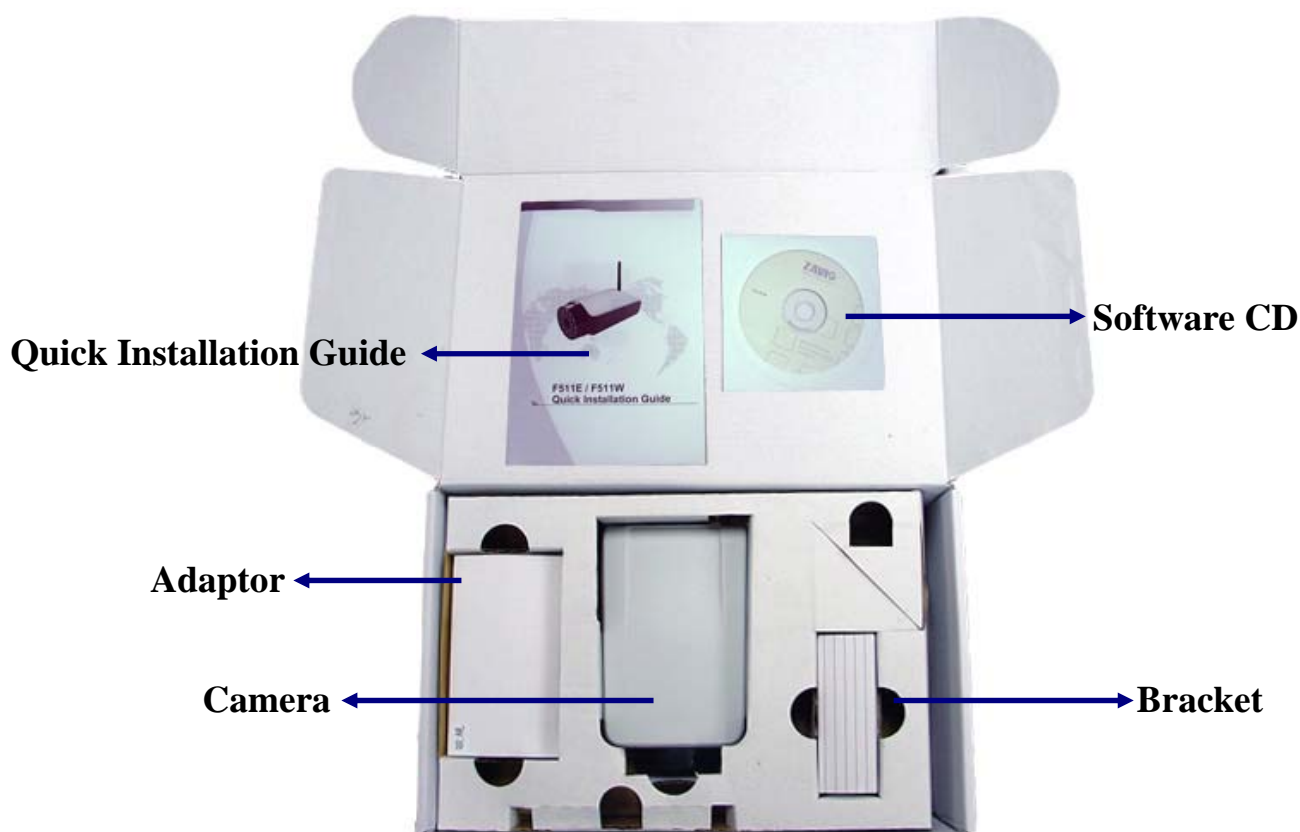
The F511E is a full featured, yet cost-effective box IP camera for professional security surveillance and remote monitoring, which makes it an ideal choice for securing offices, shops and other indoor facilities.



Key Features:

- Simultaneous MPEG-4 and Motion JPEG video stream
- Excellent Image Quality up to flexible 30 fps in all resolution for optimum bandwidth use
- Automatic-changeable **IR-cut filter** with adjustable threshold
- 12 pcs Infrared LEDs for night use up to 10M working distance
- Synchronized Two-way Audio with built in Microphone
- Optimal Synchronization of Audio and Video
- **Support Live Video Viewing on Windows Live Messenger (WLM)**
- **Control panel add-in, i.e. snapshot, image setup**
- **Support Mac OS Browser**
- **Support iPhone through Safari Browser**
- Power over Ethernet IEEE 802.3af Class 0 suppliers power to the camera via the network
- Digital Input / Output Port for External Alarm & Sensor
- Mobile Phone Streaming Live Video through 3GPP / ISMA / RTSP
- Mobile Phone Live Image through 2.5 WAP
- Multi-level Password Protection for Restricting Camera Access
- Built-In Multi-Window Motion Detection (3 detection areas)
- Video Buffer makes the Streaming Smoother
- **UPnP and Bonjour** for Fast and Easy Installation
- DDNS Supported
- Bundled 16 Channel Surveillance Software
- User-friendly & Multi-lingual UI

Chapter 3. Package Contents



Camera – F511E Box IP Camera

Quick Installation Guide - To provide brief product information and quick installation and wireless setting

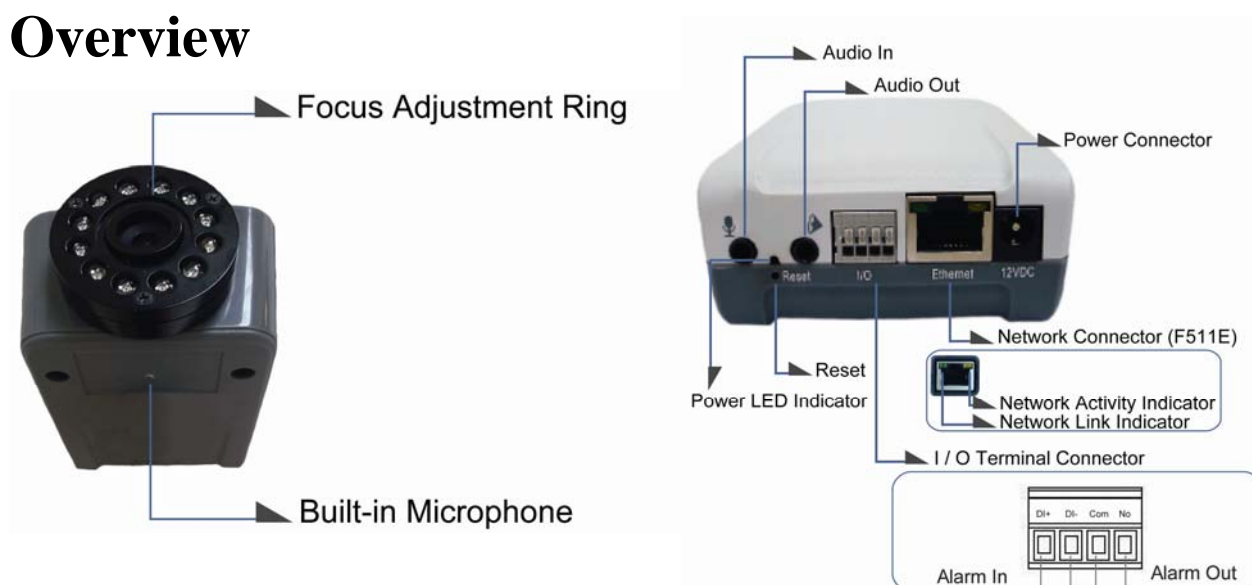
Software CD - To provide IP Surveillance Software, Intelligence IP Installer, User Manuals, and Language Packs

Mounting Bracket – There are three components including lock ring, brace, and base plate to compose a bracket and three applied screws to fix the base plate to a flat surface (horizontal or vertical)

Adaptor - 12V DC, max 6W

Chapter 4. Physical Description

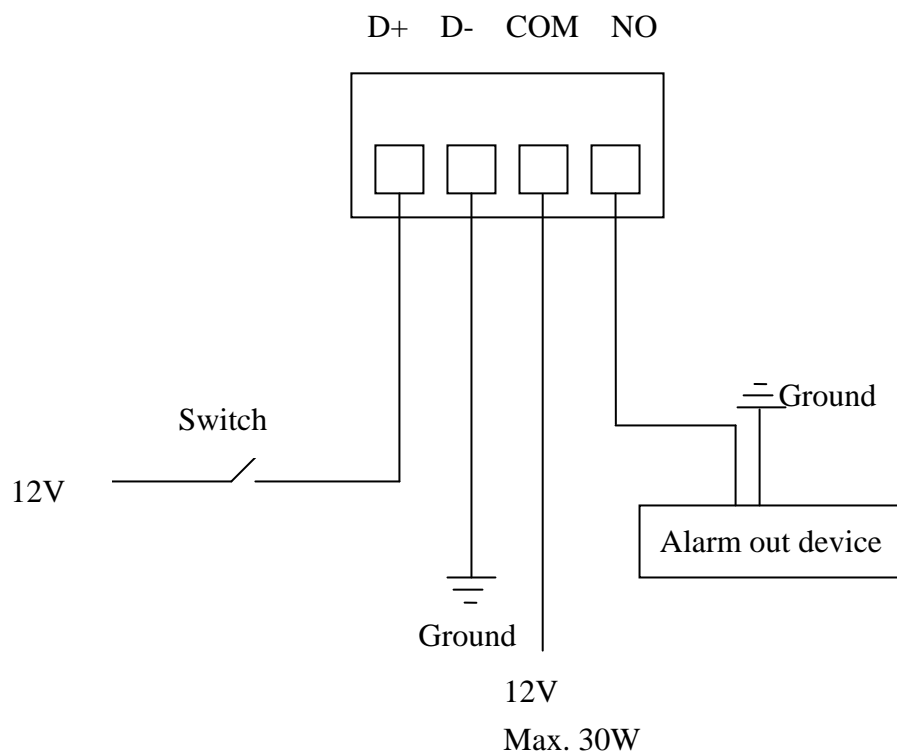
Overview



- **Focus Adjustment Ring** - Adjust focus manually to achieve the best image quality
- **Built-In Microphone** - Built-In Microphone for Two-way Audio
- **Audio In** -To support audio in with Microphone for two way audio
- **Audio Out** - To support audio out with earphones or speakers for two way audio
- **Network Connector** - For connection to the Ethernet via RJ-45 standard with **PoE**
- **Power Connector** - For connection of 12V DC input.
- **Power LED indicator** - Power LED will light up after completing the boot process
- **Reset** - When the device is empowered, press the Reset Button to reboot the device, or hold the Reset Button for 10 seconds to set the device settings back to factory default
- **I / O Terminal Connector** - 1Input / 1Output to support External Alarm and Sensor used for motion detection, event triggering and alarm notification...etc.

DI / DO Terminal connector diagram

Please refer the following illustration below for connection method.

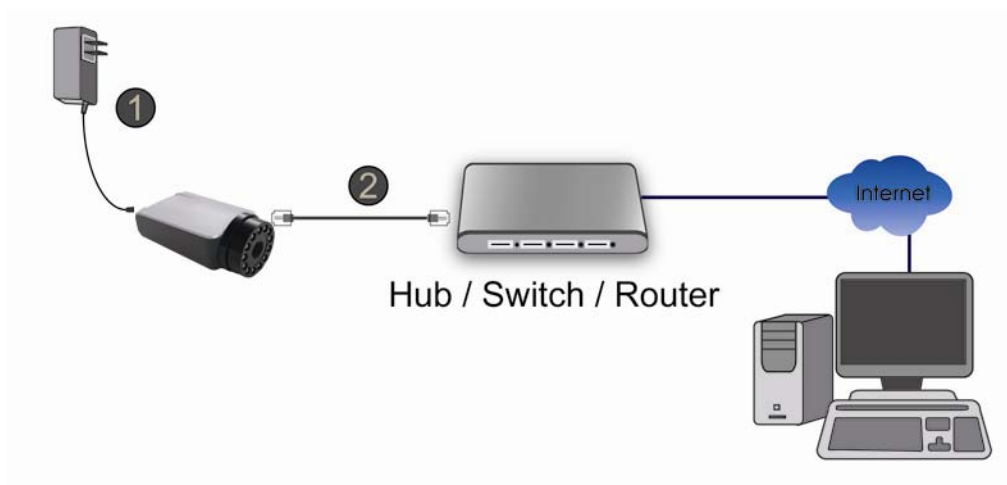


Chapter 5. Basic Connection

F511E offers Power over Ethernet (PoE) connection. However, you still can use F511E with PoE or without PoE connection. You can follow the procedure below to connect the IP Camera for both applications.

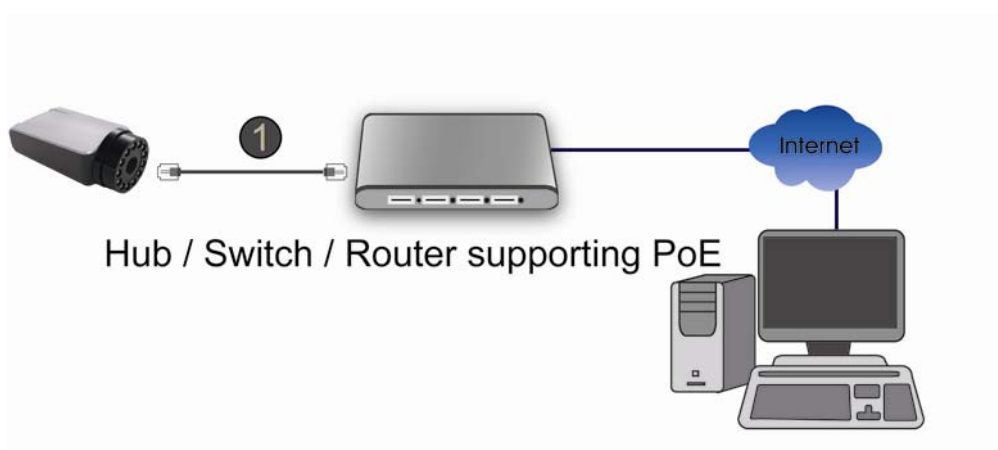
5.1 Without PoE Connection

1. Connect the power adaptor to IP Camera.
2. Connect IP Camera' Ethernet port to your Hub / Switch / Router



5.2 With PoE Connection

1. Connect IP Camera' Ethernet port to your Hub / Switch / Router supporting PoE



Chapter 6. Application

