



F520E
Hardware User Manual

F520E Box IP Camera

Hardware User Manual

-Contents-

CHAPTER 1. SAFETY INSTRUCTION	2
CHAPTER 2. INTRODUCTION	4
CHAPTER 3. PACKAGE CONTENTS	5
CHAPTER 4. PHYSICAL DESCRIPTION.....	6
CHAPTER 5. BASIC CONNECTION	8
5.1 POWER OVER ETHERNET (PoE) CONNECTION.....	8
5.2 WITHOUT PoE CONNECTION	8
CHAPTER 6. APPLICATION	9

Hardware User Manual

Chapter 1. Safety Instruction

➤ **Before you use this product**

This product has been designed with safety in mind. However, the electrical products can cause fires which may lead to serious body injury if not used properly. To avoid such accidents, be sure to heed the following.

➤ **Legal Caution**

Video and audio surveillance can be forbidden by laws that vary from country to country. Check the laws in your local region before using this product for surveillance purposes.

➤ **Don't open the housing of the product**

Don't try to open the housing or remove the covers which may expose yourself to dangerous voltage or other hazards.

➤ **Don't use the accessories not recommend by the manufacturer**

➤ **Heed the safety precautions**

Be sure to follow the general safety precautions and the "Operation Notice."

➤ **Operation Notice - Operating or storage location**

Avoid operating or storing the camera in the following locations:

- Extremely hot or cold places
(Operating temperature: 0 °C to + 50 °C [32 °F to 122°F])
- Exposed to direct sunlight for a long time, or close to heating equipment (e.g., near heaters)
- Close to water (e.g., near a bathtub, kitchen sink, laundry tub)
- Close to sources of strong magnetism
- Close to sources of powerful electromagnetic radiation, such as radios or TV transmitters
- Locations subject to strong vibration or shock

➤ **In case of a breakdown**

In case of system breakdown, discontinue use and contact your authorized dealer.

➤ **In case of abnormal operation**

- If the unit emits smoke or an unusual smell,
- If water or other foreign objects enter the cabinet, or
- If you drop the unit or damage the cabinet: 1 Disconnect the cable and the connecting cables. 2 Contact your authorized dealer or the store where you purchased the product.

➤ **Transportation**

When transporting the camera, repack it as originally packed at the factory or in materials of equal quality.

➤ **Ventilation**

To prevent heat buildup, do not block air circulation around the device.

➤ **Cleaning**

- Use a soft, dry cloth to clean the external surfaces of the device. Stubborn stains can be removed using a soft cloth dampened with a small quantity of detergent solution, then wipe dry.
- Do not use volatile solvents such as alcohol, benzene or thinners as they may damage the surface.

Chapter 2. Introduction

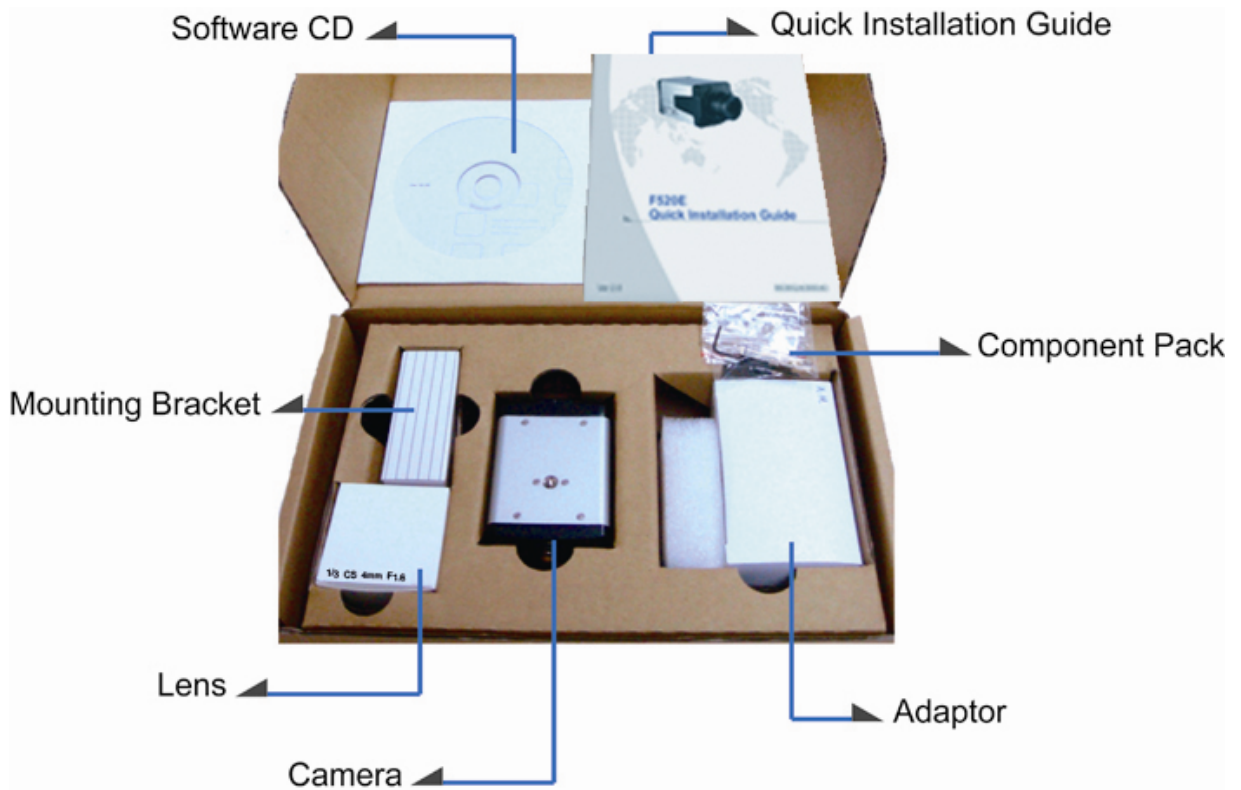
The Zavio F520E is the world's smallest and high-performance Box IP Camera equipped with a CMOS sensor. F520E also adds Power over Ethernet as well as digital input / output for external alarm or sensor.



Key Features:

- 1/4" CMOS Sensor
- Maximum Resolution 640x480 (VGA) provides superior image quality
- Excellent Image Quality up to flexible 30 fps in all resolution for optimum bandwidth use
- Power over Ethernet IEEE 802.3af Class 0 suppliers power to the camera via the network
- Digital Input / Output Port for External Alarm & Sensor
- Simultaneous MPEG-4 and Motion JPEG video stream
- Synchronized Two-way Audio
- Optimal Synchronization of Audio and Video
- **Support Live Video Viewing on Windows Live Messenger (WLM)**
- **Control panel add-in, i.e. snapshot and image setup**
- **Support Mac OS Browser**
- **Support iPhone through Safari Browser**
- Power over Ethernet IEEE 802.3af Class 0 suppliers power to the camera via the network
- Mobile Phone Streaming Live Video through 3GPP / ISMA / RTSP
- Mobile Phone Live Image through 2.5 WAP
- Multi-level Password Protection for Restricting Camera Access
- Built-In Multi-Window Motion Detection (3 detection areas)
- Video Buffer makes the Streaming Smoother
- **UPnP and Bonjour** for Fast and Easy Installation
- DDNS Supported
- Bundled 16 Channel Surveillance Software
- User-friendly & Multi-lingual UI

Chapter 3. Package Contents



Camera – F520E Box Network Camera

Lens – CS mount lens

Quick Installation Guide - To provide brief product information and quick installation and wireless setting

Software CD - To provide IP Surveillance Software, Intelligence IP Installer, User Manuals, and Language Packs

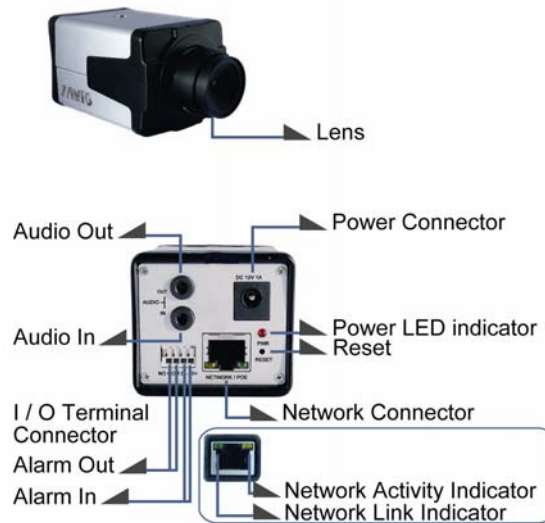
Mounting Bracket – There are three components including lock ring, brace, and base plate to compose a bracket and three applied screws to fixed base plate to a flat surface (horizontal or vertical).

Adaptor - 12V DC, max 6W

Component Pack – Hex Wrench

Chapter 4. Physical Description

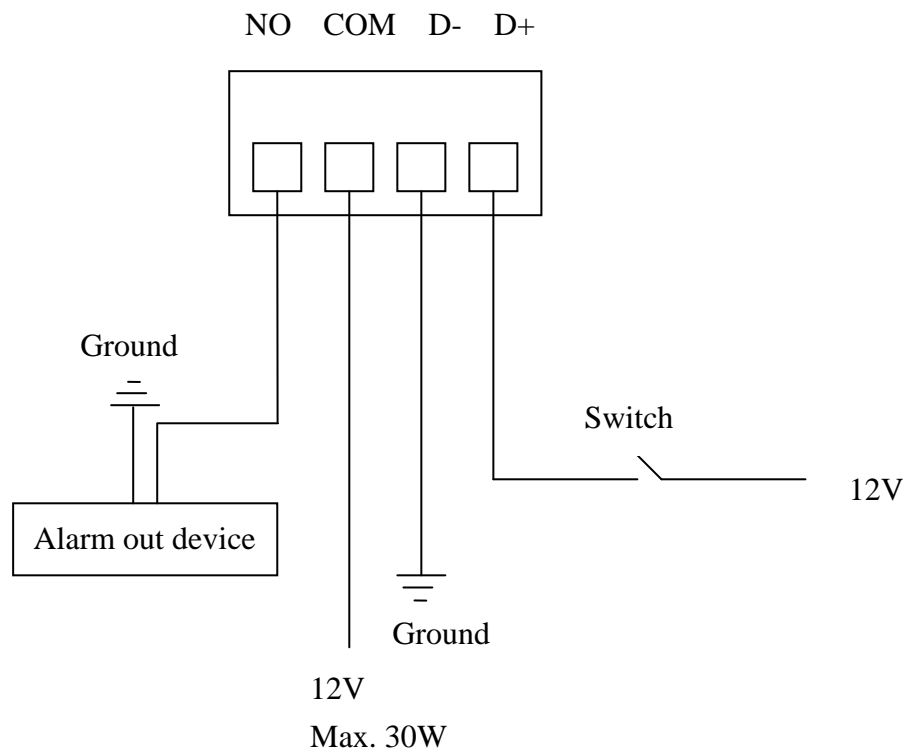
Overview



- **Lens** – CS mount lens
- **Audio Out** - To support audio out with earphones or speakers for two way audio
- **Audio In**- To support audio in with microphone for two way audio
- **I / O Terminal Connector** - 1Input / 1Output to support External Alarm and Sensor used for motion detection, event triggering and alarm notification...etc.
- **Network Connector** - For connection to the Ethernet via RJ-45 standard with PoE
- **Reset** - When the device is empowered, press the Reset Button to reboot the device, or hold the Reset Button for 10 seconds to set the device settings back to factory default.
- **Power LED indicator** - Power LED will light up after the IP Camera completed the boot process.
- **Power Connector** - For connection of 12V DC input.

DI / DO Terminal connector diagram

Please refer the following illustration below for connection method.

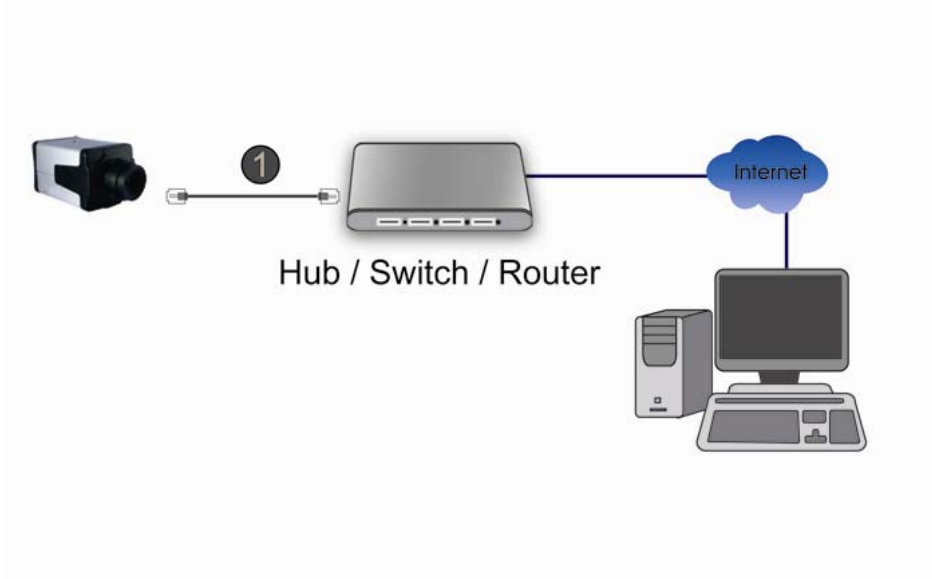


Chapter 5. Basic Connection

F520E offers Power over Ethernet (PoE) connection. However, you still can use F520E with PoE or without PoE connection. You can follow the procedure below to connect the IP Camera for both applications.

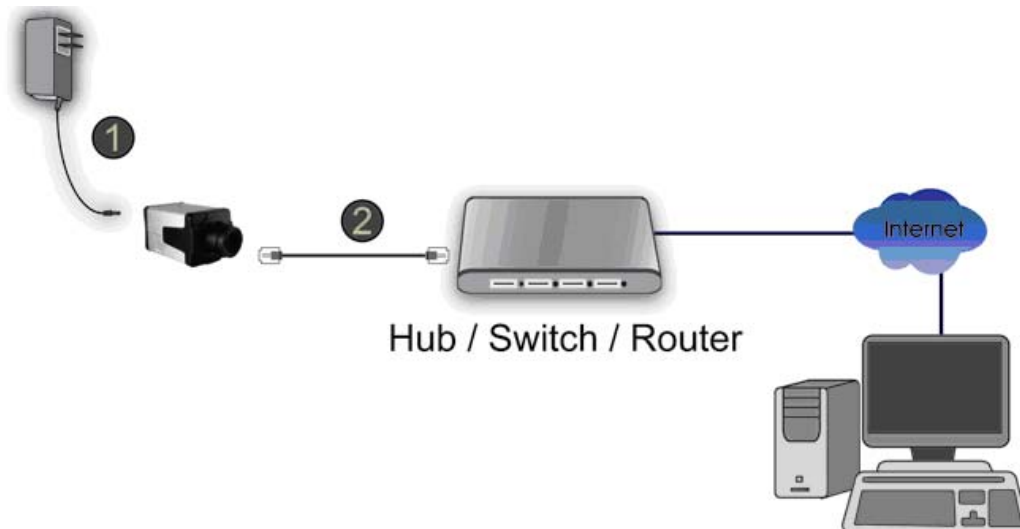
5.1 Power over Ethernet (PoE) Connection

1. Connect IP Camera' Ethernet port to your Hub / Switch / Router supporting PoE



5.2 Without PoE Connection

1. Connect the power adaptor to IP Camera.
2. Connect IP Camera' Ethernet port to your Hub / Switch / Router



Chapter 6. Application

