

D4211 | Mini Dome 2MP Outdoor IR Compact Camera

www.zavio.com

ZAVIO
Innovating IP since 2006



- 1/2.8" 2MP CMOS sensor
- Fixed 2.8mm, F2.0
- 1080p @ 30fps
- 20m IR range with Smart IR
- D-WDR
- ROI (Region Of Interest)
- Corridor mode
- Operating conditions -30~ 60°C
- Micro SD/SDHC card slot up to 32GB
- Two-way audio, with built-in mic.
- 1 alarm in / 1 alarm out
- 12V DC & PoE (802.3af)
- IP66* & IK10
- ONVIF 2.4 & Profile S

Remark: *with junction box

ZAVIO D4211 is a small sized camera featuring 1080p Full HD resolution with 30fps frame rate. A true day and night camera, containing automatic removeable IR-cut filter and Smart IR with 20m effective range.

The D4211 is designed for quick and easy installation. With 3 axis angle adjustment and support of Corridor mode, D4211 is ideal for numerous indoor application such as home, office, hallways and aisles. Addition to its IK08 vandal-proof housing and optional IP66 outdoor kit, the ZAVIO D4211 can also be easily installed for outdoor applications.

Compatible with ZAVIO CamGraba 2.0, the most professional free NVR software that can support up to 64 IP cameras.

Optional accessories

Accessory: Junction box / L type bracket
Item number: AD-M01 / AD-M04
Dimensions: 117 x 36mm /
Compatible with: D4211, D4320, D4520

Junction box



L type bracket



Features

Smart IR

Smart IR automatically adjusts brightness of the IR illuminators to the scene content, effectively avoiding overexposure of objects that are too close to the camera.



ROI (Region Of Interest)

Defining a Region Of Interest will allow you to spend less bandwidth in areas that are less important while relocating resolution on the most relevant areas.

Corridor mode

Corridor Mode allows you to get a vertically oriented video stream from the camera, maximizing image quality while eliminating bandwidth and storage waste.

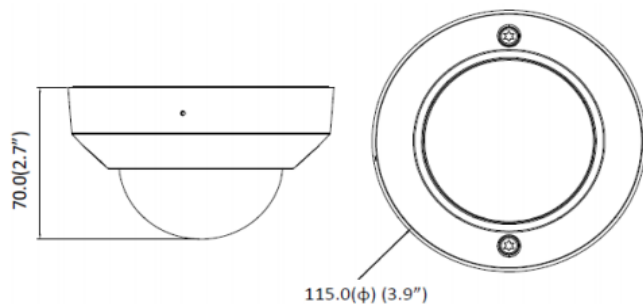
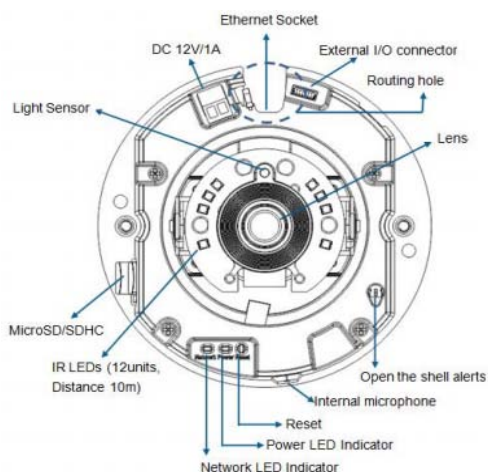


Landscape mode

Corridor mode

Technical Specifications

Camera	
Camera Type	2MP Outdoor IR Mini Dome
Image sensor	1/2.8" CMOS sensor
Lens	Fixed 2.8mm, F2.0
Horizontal view angle	96°
IR working distance	20m effective range with Smart IR
Min illumination	0.05 lux @ F2.0 (color) 0.005 lux @ F2.0 (B/W)
WDR	D-WDR
Day/Night function	Mechanical IR cut filter, Light sensor
Video & Audio	
Resolutions	Motion JPEG/H.264: 2 Profile from 1920 x 1080 to 320 x 240 (total 5 resolutions) 2 Profile from 640 x 480 to 320 x 240 (total 3 resolutions)
Video compression	Motion JPEG H.264 baseline/ main profile/high profile -
Frame rate	H.264: up to 30 fps at 1920 x 1080 Motion JPEG : up to 30 fps at 1920 x 1080
Video streaming	Simultaneous Motion JPEG, H.264 Controllable frame rate and bandwidth Support unicast (Real Time Streaming Protocol)
Image settings	Rotation: mirror, flip, mirror flip, corridor mode Brightness, contrast, saturation, sharpness Overlay capabilities: time, date, text and privacy Image ROI 3D DNR -
Audio support	Two-way (full duplex) with built-in microphone
Audio compression	G.711 u law, a law, G.726, AMR
I/O & Connector	
Ethernet	RJ-45 Ethernet 10/100 Base -T
Power Supply	Terminal block, 12V DC, 1A Power consumption: Max 7.5W PoE(Power over Ethernet) built-in IEEE 802.3af
Alarm I/O	6 pin connector, 1/1
Audio connector	6 pin connector, line in & line out
Analog video output	-
RS-485	-
Edge storage	Micro SD/SDHC up to 32GB
Buttons	Reset push button
Other(s)	-
Alarm & Event	
Input	Alarm buffer, alarm input, motion detection, audio detection, periodical, network link down.
Output	Network storage, edge storage, FTP, SMTP, HTTP event, HTTPS, alarm out pre and post event image.
Network	
Users	5 simultaneous users
Security	Multiple user access levels with password protection, HTTPS encryption
Supported protocols	IPv4, IPv6, Bonjour, TCP/ IP, DHCP, DNS, DynDNS, PPPoE, ARP, ICMP, FTP, SMTP, NTP, UPnP, RTSP, RTP, RTCP, HTTP, HTTPS, SSL, TCP, UDP
ONVIF	2.4 & Profile S
General	
Housing	Aluminum Alloy
Ingress Protection	IP66 rated weatherproof housing (with junction box)
Impact Protection	IK08 rated vandalproof housing
Other(s)	Built-in microphone -
Operating conditions	Starting temperature: -10 ~ 60°C Humidity 10-100% RH Working temperature: -30~ 60°C Humidity 10-100% RH
Dimensions(HxWxD)	φ115 x 70mm
Weight	300g excl. power supply
Included accessories	Quick installation guide, mounting and connector kit.
Optional accessories	Junction box, L type bracket
Certification	CE, FCC, RoHS
Language	Chinese, Croatian, Czech, Danish, Dutch, English, French, German, Greek, Hungarian, Italian, Japanese, Korean, Polish, Portuguese, Russian, Slovak, Spanish, Swedish, Turkish
System Requirements	
Operating system	Windows XP / 7 / 8 / 8.1, MAC OS, Linux
Browser	Internet Explorer 9 / 10 / 11, Chrome, Firefox, Safari
Software	
Video management software	ZAVIO CamGraba 2.0 IP System software, for viewing, recording and archiving up to 64 cameras.
Installation, management and maintenance	ZAVIO Installation Tool makes camera management easier with camera image preview, firmware upgrade of multiple cameras, reset cameras to default while keeping network settings, etc.



Unit: mm (inches)