

D4320 | Mini Dome 3MP Outdoor IR Compact Camera

www.zavio.com

ZAVIO
Innovating IP since 2006



- 1/3" 3MP CMOS sensor
- Fixed 2.8mm, F2.0
- Smart Codec + H.265
- 3MP @ 30fps
- 100dB WDR
- 20m IR range with Smart IR
- ROI (Region Of Interest)
- Corridor mode
- Operating conditions -30~ 60°C
- Micro SD/SDHC/SDXC card slot up to 128GB
- Two-way audio, with built-in mic.
- 1 alarm in / 1 alarm out
- 12V DC & PoE (802.3af)
- IP67 & IK08
- ONVIF 2.4 & Profile S

ZAVIO D4320 is a small sized camera with high performance technology. Latest H.265 compression to cut bandwidth in half, with ZAVIO's smart codec feature further lowering bandwidth and storage consumption to 80% less than normal H.264 cameras. Class-leading WDR to handle the most challenging lighting conditions.

The D4320 is designed for quick and easy installation. With 3 axis angle adjustment and support of Corridor mode, D4320 is ideal for numerous indoor application such as home, office, hallways and aisles. Addition to its IP67 weatherproof and IK08 vandal-proof housing, the ZAVIO D4320 can also be easily installed for outdoor applications.

Features

Smart Codec + H.265

ZAVIO Smart Codec + H.265 reduces bandwidth and storage requirements by a stunning 80% compared to standard H.264 camera.



WDR off



WDR on

WDR

Cameras with WDR will take multiple exposures of the full scene and merge them together to provide an image that extends further than the human eye can perceive.

Smart IR

Smart IR automatically adjusts brightness of the IR illuminators to the scene content, effectively avoiding overexposure of objects that are too close to the camera.



ROI (Region Of Interest)

Defining a Region Of Interest will allow you to spend less bandwidth in areas that are less important while relocating resolution on the most relevant

Corridor Mode

Corridor Mode allows you to get a vertically oriented video stream from the camera, maximizing image quality while eliminating bandwidth and storage waste.



Landscape mode

Corridor mode

Technical Specifications

Camera

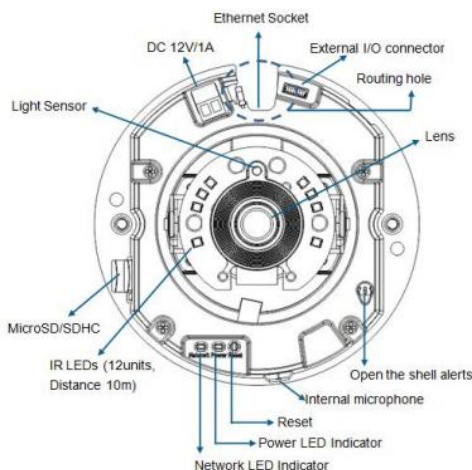
Camera Type	3MP Outdoor IR Mini Dome
Image sensor	1/3" CMOS sensor
Lens	Fixed 2.8mm, F2.0
Horizontal view angle	87°
IR working distance	20m effective range with Smart IR
Min	0.1 lux @ F2.0 (color) 0.01 lux @ F2.0 (B/W)
WDR	100dB
Day/Night function	Mechanical IR cut filter, Light sensor

Video & Audio

Resolutions	Motion JPEG/H.264/H.265: 2 Profile from 3MP to 320 x 240 (total 6 resolutions) 2 Profile from 640 x 480 to 320 x 240 (total 3 resolutions)
Video compression	Motion JPEG H.264 baseline/ main profile/high profile H.265
Frame rate	H.265/H.264: up to 30 fps at 2304 x 1296 Motion JPEG : up to 30 fps at 2304 x 1296
Video	Simultaneous Motion JPEG, H.264, H.265 Controllable frame rate and bandwidth Support unicast and multicast (RTSP)
Image settings	Rotation: mirror, flip, mirror flip, corridor mode Brightness, contrast, saturation, sharpness Overlay capabilities: time, date, text and privacy Image ROI, White balance (auto/manual) 3D DNR Defog
Audio support	Two-way (full duplex) with built-in microphone
Audio compression	G.711 u law, a law, G.726, AMR

I/O & Connector

Ethernet	RJ-45 Ethernet 10/100 Base -T
Power Supply	Terminal block, 12V DC, 1A Power consumption: Max 5.4W PoE(Power over Ethernet) built-in IEEE 802.3af
Alarm I/O	6 pin connector, 1/1
Audio connector	6 pin connector, line in & line out
Analog video output	-
RS-485	-
Edge storage	Micro SD/SDHC/SDXC up to 128GB
Buttons	Reset push button
Other(s)	-



Alarm & Event

Event type	Alarm input, motion detection, audio detection, periodical, network link down, tampering, tripwire, people density, perimeter.
Alarm action	Network storage, edge storage, FTP, SMTP, HTTP event, HTTPS, alarm out pre and post event image.

Network

Users	10 simultaneous users
Security	Multiple user access levels with password protection, HTTPS encryption
Supported protocols	IPv4, IPv6, Bonjour, TCP/ IP, DHCP, DNS, DynDNS, PPPoE, ARP, ICMP, FTP, SMTP, NTP, UPnP, RTSP, RTP, RTCP, HTTP, HTTPS, SS TCP, UDP
ONVIF	2.4 & Profile S

General

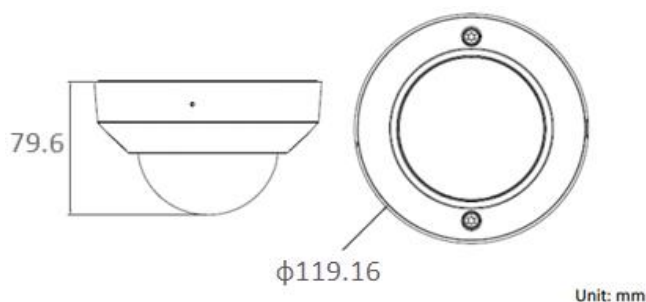
Housing	Aluminum Alloy
Ingress Protection	IP67 rated weatherproof housing
Impact Protection	IK08 rated vandalproof housing
Other(s)	Built-in microphone -
Operating conditions	Starting temperature: -10 ~ 60°C Humidity 10-100% RH Working temperature: -30 ~ 60°C Humidity 10-100% RH
Dimensions(ΦxWxD)	Φ119.16 x 79.6mm
Weight	400g excl. power supply
Included accessories	Quick installation guide, mounting and connector kit.
Optional accessories	Junction box AD-M01, L type bracket AD-M04
Certification	CE, FCC, RoHS
Language	Chinese, Croatian, Czech, Danish, Dutch, English, French, German, Greek, Hungarian, Italian, Japanese, Korean, Polish, Portuguese, Russian, Slovak, Spanish, Swedish, Turkish

System Requirements

Operating system	Windows XP / 7 / 8 / 8.1, MAC OS, Linux
Browser	Internet Explorer 9 / 10 / 11, Chrome, Firefox, Safari

Software

Video management software	ZAVIO CamGraba 2.0 IP System software, for viewing, recording and archiving up to 64 cameras.
Installation, management and maintenance	ZAVIO Installation Tool makes camera management easier camera image preview, firmware upgrade of multiple cameras, reset cameras to default while keeping network settings, etc.



ZAVIO Inc. | 2F., No.24-2, Gongye E. 4th Rd., East Dist., Hsinchu City 300, Taiwan
www.zavio.com | TEL: 886-3-579-0275 | FAX: 886-3-668-6845 | E-Mail: sales@zavio.com