

P8220 | Speed Dome 2MP Outdoor IR Speed Dome

www.zavio.com

ZAVIO
Innovating IP since 2006



- 1/2.8" 2MP Starlight CMOS sensor
- 20x Optical Zoom
- Smart Codec + H.265
- 1080p @ 30fps
- 120dB WDR
- 150m IR range with Adaptive IR
- ROI (Region Of Interest)
- Defog
- Operating conditions -40~ 60°C
- MicroSD/SDHC/SDXC card slot up to 128GB
- Two-way audio
- 2 alarm in / 1 alarm out
- 24V DC & PoE (802.3at)
- IP66 weatherproof
- ONVIF 2.4 & Profile S

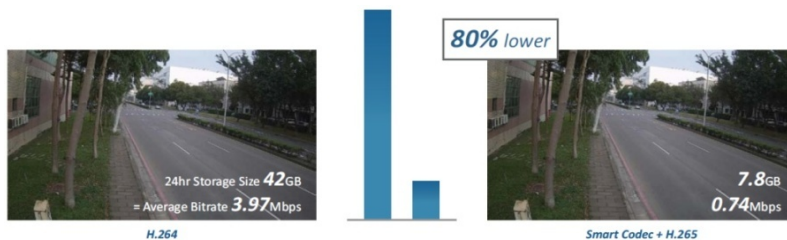
The ZAVIO P8220 is an Outdoor IR Speed Dome Camera, featuring 2MP resolution, 20x optical zoom, 150m IR distance, and latest H.265 compression to cut bandwidth in half, with ZAVIO's smart codec feature further lowering bandwidth and storage consumption to 80% less than normal H.264 cameras. Sony 1/2.8" starlight sensor and class-leading WDR to handle the most challenging lighting conditions. Featuring Adaptive IR that not only automatically adjusts the power of the IR illuminators, but also it's angle, to provide the best image possible.

To benefit from the camera's maximum potential, please use with ZAVIO NVRs and Management Software Z+. They provide seamless integration with ZAVIO IP cameras, featuring embedded camera settings and batch maintenance. Download ZAVIOR mobile APP to get instant access to your devices and manage them anytime anywhere.

Features

Smart Codec + H.265

ZAVIO Smart Codec + H.265 reduces bandwidth and storage requirements by a stunning 80% compared to standard H.264 camera.



WDR off



WDR on

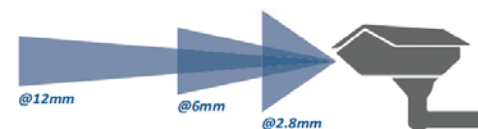
WDR

Cameras with WDR will take multiple exposures of the full scene and merge them together to provide an image that extends further than the human eye can perceive.

Adaptive IR

ZAVIO Adaptive IR provides 2 dimensions adaptation:

- 1) The angle of the IR illuminators automatically changes in sync with the camera's zoom position.
- 2) The brightness of the IR illuminators automatically adjusts to the scene content, effectively avoiding overexposure of objects that are too close to the camera.



Other Cameras

ZAVIO Starlight Cameras

Starlight

Combined with cutting-edge sensor technology, advanced noise reduction and high frame rate, Starlight cameras can capture highly detailed color images of fast moving objects even under challenging lighting conditions.

ROI (Region Of Interest)

Defining a Region Of Interest will allow you to spend less bandwidth in areas that are less important while relocating resolution on the most relevant areas.



Technical Specifications

Camera

Camera Type	2MP Outdoor IR Speed Dome
Image sensor	1/2.8" Starlight CMOS sensor
Lens	5.5-110mm, F1.6(W)-3.5(T)
Horizontal view angle	51° - 2.60°
IR working distance	150m effective range with Adaptive IR
Min	0.001 lux @ F1.6 (color) 0.0001 lux @ F1.6 (B/W)
WDR	120dB
Day/Night function	Mechanical IR cut filter, Light sensor

Video & Audio

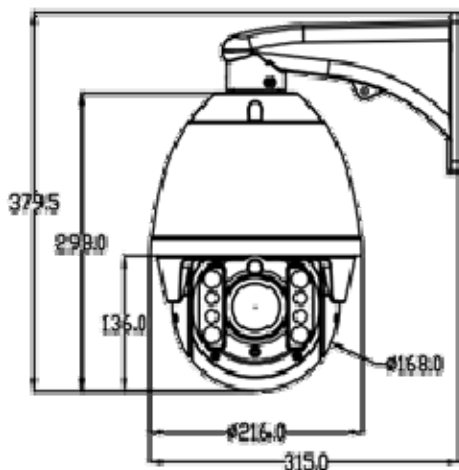
Resolutions	Motion JPEG/H.264/H.265: 2 Profile from 1920 x 1080 to 320 x 240 (total 5 resolutions) 2 Profile from 640 x 480 to 320 x 240 (total 3 resolutions)
Video compression	Motion JPEG H.264 baseline/ main profile/high profile H.265
Frame rate	H.265/H.264: up to 30 fps at 1920 x 1080 Motion JPEG : up to 30 fps at 1920 x 1080
Video	Simultaneous Motion JPEG, H.264, H.265 Controllable frame rate and bandwidth Support unicast and multicast (RTSP)
Image settings	Rotation: mirror, flip, mirror flip Brightness, contrast, saturation, sharpness Overlay capabilities: time, date, text and privacy Image ROI, White balance (auto/manual) 3D DNR Defog
Audio support	Two-way audio
Audio compression	G.711A

PTZ Mechanism

Pan Range	360° continuous rotation
Max. Pan Speed	180° /s
Tilt Range	0° ~ 90°
Max. Tilt Speed	100° /s
Zoom Ratio	20X Optical Zoom
Max. Zoom Speed	Approx. 4.5s (Tele ~ Wide)
Preset Points	Up to 256 preset points
Sequence Group	1. Up to 8 groups 2. One group can include up to 8 preset points

Alarm & Event

Event type	Alarm input, motion detection, audio detection, periodical, network link down.
Alarm action	Network storage, edge storage, FTP, SMTP, HTTP event, HTTPS, alarm out pre and post event image.



I/O & Connector

Ethernet	RJ-45 Ethernet 10/100 Base -T
Power Supply	Terminal block, 24V DC Power consumption: Max 36W PoE(Power over Ethernet) built-in IEEE 802.3at
Alarm I/O	Terminal block, 2/1
Audio connector	RCA
Analog video output	BNC
RS-485	-
Edge storage	Micro SD/SDHC/SDXC up to 128GB
Buttons	Reset push button

Network

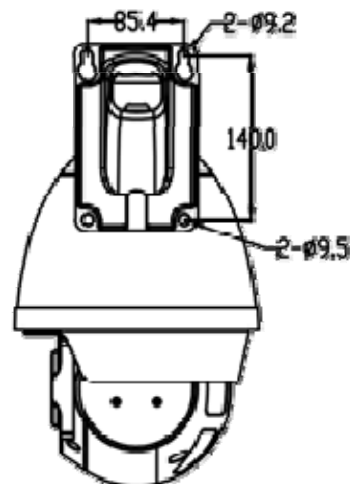
Users	10 simultaneous users
Security	Multiple user access levels with password protection, HTTPS encryption
Supported protocols	IPv4, IPv6, Bonjour, TCP/ IP, DHCP, DNS, DynDNS, PPPoE, ARP, ICMP, FTP, SMTP, NTP, UPnP, RTSP, RTP, RTCP, HTTP, HTTPS, SSL, TCP, UDP
ONVIF	2.4 & Profile S

General

Housing	Aluminum Alloy
Ingress Protection	IP66 rated weatherproof housing
Impact Protection	-
Other(s)	-
Operating conditions	Starting temperature: -20 ~ 60°C Humidity 10-100% RH Working temperature: -40~ 60°C Humidity 10-100% RH
Dimensions	φ216 x 379.5mm
Weight	6.7kg
Included accessories	Quick installation guide, wall mount, mounting and connector kit.
Certification	CE, FCC, RoHS
Language	Chinese, Croatian, Czech, Danish, Dutch, English, French, German, Greek, Hungarian, Italian, Japanese, Korean, Polish, Polish, Portuguese, Russian, Slovak, Spanish, Swedish, Turkish

System Requirements

Operating system	Windows XP / 7 / 8 / 8.1, MAC OS, Linux
Browser	Internet Explorer 9 / 10 / 11, Chrome, Firefox, Safari



ZAVIO Inc. | 2F., No.24-2, Gongye E. 4th Rd., East Dist., Hsinchu City 300, Taiwan
www.zavio.com | TEL: 886-3-579-0275 | FAX: 886-3-668-6845 | E-Mail: sales@zavio.com