

CD6230 | Dome 2MP Motorized Outdoor IR Camera

www.zavio.com

ZAVIO
Innovating IP since 2006



- 1/2.8" 2MP Starlight CMOS sensor
- Motorized 2.8-12mm, F1.6, P-iris
- Smart Focus
- Smart Codec + H.265
- 1080p @ 30fps
- WDR 120dB
- 35m Smart IR range
- Corridor mode, Defog, ROI
- Operating conditions -30~ 60°C
- MicroSD/SDHC/SDXC card slot up to 128GB
- Two way audio (full duplex)
- 2 alarm in / 1 alarm out
- 12V DC & PoE (802.3af)
- IP66 & IK10
- ONVIF 2.4 & Profile S

ZAVIO CD6230 outdoor dome is a full featured, compact and affordable camera - with full HD resolution, starlight sensor, motorized lens, H.265 compression, 35meters Smart IR range, edge storage and vandal-resistant housing - fitting the bill for almost any applications.

Designed for efficient installation, ZAVIO CD6230 has 3 axis angle adjustment and Smart Focus. Additional feature includes Corridor Mode and ROI (Region Of Interest). All of which enables users to easily adjust the view and focus of the camera, allowing a better use of the bandwidth and storage requirements.

To benefit from the camera's maximum potential, please use with ZAVIO NVRs and Management Software Z+. They provide seamless integration with ZAVIO IP cameras, featuring embedded camera settings and batch maintenance. Download ZAVIOR mobile APP to get instant access to your devices and manage them anytime anywhere.

Optional accessories

Model name: AZ-J01
Category: Junction box
Dimensions: ϕ 119 x 39mm

Model name: AD-M06
Category: Wall mount
Dimensions: 205 x 120mm

Features

Smart Codec + H.265

ZAVIO Smart Codec + H.265 reduces bandwidth and storage requirements by a stunning 80% compared to standard H.264 camera.



WDR off



WDR on

WDR

Cameras with WDR will take multiple exposures of the full scene and merge them together to provide an image that extends further than the human eye can perceive.

Smart IR

Smart IR automatically adjusts brightness of the IR illuminators to the scene content, effectively avoiding overexposure of objects that are too close to the camera.



Other Cameras

ZAVIO Starlight Cameras

Starlight

Combined with cutting-edge sensor technology, advanced noise reduction and high frame rate, Starlight cameras can capture highly detailed color images of fast moving objects even under challenging lighting conditions.

P-iris

P-iris allows objects at different distances from the camera to be focused simultaneously - providing images with better contrast, clarity, resolution and depth of field.



Technical Specifications

Camera

Camera Type	2MP Motorized Outdoor IR Dome
Image sensor	1/2.8" Starlight CMOS sensor
Lens	Motorized 2.8-12mm, F1.6, P-iris
Horizontal view angle	105° - 35°
IR working distance	35m Smart IR effective range
Min illumination	0.001 lux @ F1.6 (color) 0.0001 lux @ F1.6 (B/W)
WDR	120dB
Day/Night function	Mechanical IR cut filter, Light sensor

Video & Audio

Resolutions	Motion JPEG/H.264/H.265: 2 Profile from 1920 x 1080 to 320 x 240 (total 5 resolutions) 2 Profile from 640 x 480 to 320 x 240 (total 3 resolutions)
Video compression	Motion JPEG H.264 baseline/ main profile/high profile H.265
Frame rate	H.265/H.264: up to 30 fps at 1920 x 1080 Motion JPEG : up to 30 fps at 1920 x 1080
Video streaming	Simultaneous Motion JPEG, H.264, H.265 Controllable frame rate and bandwidth Support unicast and multicast (RTSP)
Image settings	Rotation: mirror, flip, mirror flip, corridor mode Brightness, contrast, saturation, sharpness Overlay capabilities: time, date, text and privacy Image ROI, White balance (auto/manual) 3D DNR Defog
Audio support	Two-way (full duplex)
Audio compression	G.711 u law, a law, G.726, AMR

I/O & Connector

Ethernet	RJ-45 Ethernet 10/100 Base -T
Power Supply	DC Jack, 12V DC, 1A Power consumption: Max 11W PoE(Power over Ethernet) built-in IEEE 802.3af
Alarm I/O	2/1
Audio connector	line in & line out
Analog video output	v
RS-485	v
Edge storage	MicroSD/SDHC/SDXC card slot up to 128GB
Buttons	Reset push button

Alarm & Event

Event type	Alarm input, motion detection, audio detection, periodical, network link down, tampering, tripwire, people density, perimeter.
Alarm action	Network storage, edge storage, FTP, SMTP, HTTP event, HTTPS, alarm out pre and post event image.

Network

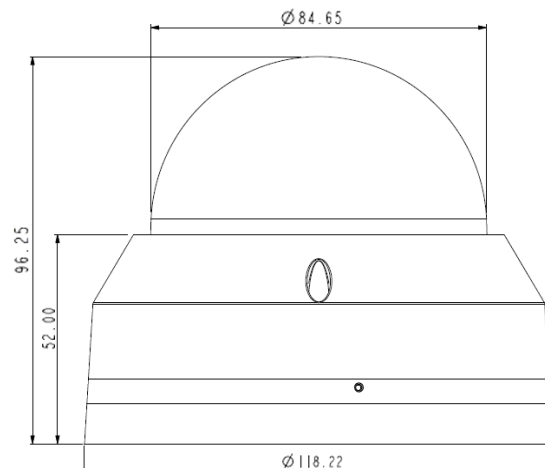
Stream	10 simultaneous connection
Security	Multiple user access levels with password protection, HTTPS encryption
Supported protocols	IPv4, IPv6, Bonjour, TCP/ IP, DHCP, DNS, DynDNS, PPPoE, ARP, ICMP, FTP, SMTP, NTP, UPnP, RTSP, RTP, RTCP, HTTP, HTTPS, SSL, TCP, UDP
ONVIF	2.4 & Profile S

General

Housing	Aluminum Alloy
Ingress Protection	IP66 rated weatherproof housing
Impact Protection	IK10 rated vandalproof housing
Operating conditions	Starting temperature: -10 ~ 60°C Humidity 10-100% RH Working temperature: -30~ 60°C Humidity 10-100% RH
Dimensions	φ118 x 96mm
Weight	696g excl. power supply
Included accessories	Quick installation guide, mounting and connector kit.
Optional accessories	AZ-J01, AD-M06
Certification	CE, FCC, RoHS
Language	Chinese, Croatian, Czech, Danish, Dutch, English, French, German, Greek, Hungarian, Italian, Japanese, Korean, Polish, Polish, Portuguese, Russian, Slovak, Spanish, Swedish, Turkish

System Requirements

Operating system	Windows XP / 7 / 8 / 8.1, MAC OS, Linux
Browser	Internet Explorer 9 / 10 / 11, Chrome, Firefox, Safari





www.zavio.com | TEL: 886-3-579-0275 | FAX: 886-3-668-6845 | E-Mail: sales@zavio.com

©ZAVIO Inc. 2016 | All brands and product names are trademarks or registered trademarks of their respective owners | Product specifications are subject to change without prior notice.