

CD5220 | Dome 2MP Varifocal Outdoor IR Camera

www.zavio.com

ZAVIO
Innovating IP since 2006



- 1/2.8" 2MP CMOS sensor
- Varifocal 2.8-12mm, F1.6
- Smart Codec + H.265
- 1080p @ 25fps
- D-WDR
- 35m Smart IR range
- ROI (Region Of Interest)
- Corridor mode
- Operating conditions -30~ 60°C
- Micro SD/SDHC/SDXC card slot up to 128GB
- Two way audio (full duplex)
- 2 alarm in / 1 alarm out
- 12V DC & PoE (802.3af)
- IP66 & IK10
- ONVIF 2.4 & Profile S

ZAVIO CD5220 is a cost-effective, outdoor-ready varifocal camera with full HD resolution, H.265 compression, 35meters Smart IR range, edge storage and vandal-resistant housing - fitting the bill for almost any applications.

Designed for efficient installation, ZAVIO Dome Series have 3 axis angle adjustment and features such as Corridor Mode and ROI, all of which enables users to easily adjust the view and focus of the camera, allowing a better use of the bandwidth and storage requirements.

To benefit from the camera's maximum potential, please use with ZAVIO NVRs and Management Software Z+. They provide seamless integration with ZAVIO IP cameras, featuring embedded camera settings and batch maintenance. Download ZAVIOR mobile APP to get instant access to your devices and manage them anytime anywhere.

Optional accessories

Model name: AZ-J01
Category: Junction box
Dimensions: ϕ 119 x 39mm

Model name: AD-M06
Category: Wall mount
Dimensions: 205 x 120mm

Features

Smart Codec + H.265

ZAVIO Smart Codec + H.265 reduces bandwidth and storage requirements by a stunning 80% compared to standard H.264 camera.



Smart IR

Smart IR automatically adjusts brightness of the IR illuminators to the scene content, effectively avoiding overexposure of objects that are too close to the camera.

ROI (Region of Interest)

Defining a Region Of Interest will allow you to spending less bandwidth in areas that are less important, while relocating resolution on the most relevant part.



Landscape mode

Corridor mode

Corridor mode

Corridor Mode allows you to get a vertically oriented video stream from the camera, maximizing image quality while eliminating bandwidth and storage waste.

Technical Specifications

Camera

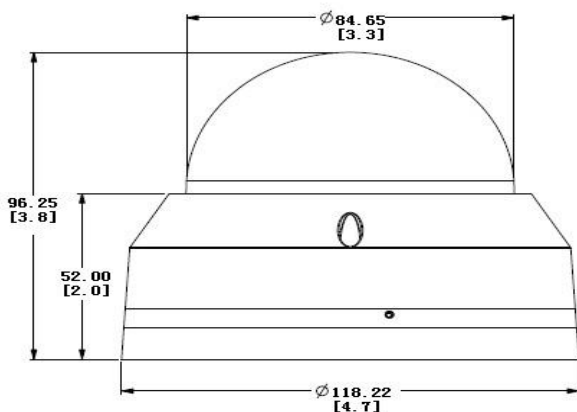
Camera Type	2MP Varifocal Outdoor IR Dome
Image sensor	1/2.8" CMOS sensor
Lens	Varifocal 2.8-12mm, F1.6
Horizontal view angle	105° - 35°
IR working distance	35m Smart IR effective range
Min illumination	0.01 lux @ F1.6 (color) 0.001 lux @ F1.6 (B/W)
WDR	D-WDR
Day/Night function	Mechanical IR cut filter, Light sensor

Video & Audio

Resolutions	Motion JPEG/H.264/H.265: 2 Profile from 1920 x 1080 to 320 x 240 (total 5 resolutions) 2 Profile from 640 x 480 to 320 x 240 (total 3 resolutions)
Video compression	Motion JPEG H.264 baseline/ main profile/high profile H.265
Frame rate	H.265/H.264: up to 25 fps at 1920 x 1080 Motion JPEG : up to 25 fps at 1920 x 1080
Video streaming	Simultaneous Motion JPEG, H.264, H.265 Controllable frame rate and bandwidth Support unicast and multicast (RTSP)
Image settings	Rotation: mirror, flip, mirror flip, corridor mode Brightness, contrast, saturation, sharpness Overlay capabilities: time, date, text and privacy Image ROI, White balance (auto/manual) 3D DNR -
Audio support	Two-way (full duplex)
Audio compression	G.711 u law, a law, G.726, AMR

I/O & Connector

Ethernet	RJ-45 Ethernet 10/100 Base -T
PoE	12V DC & PoE (802.3af)
Alarm I/O	2/1
Audio connector	line in & line out
Analog video output	v
RS-485	v
Edge storage	Micro SD/SDHC/SDXC up to 128GB
Buttons	Reset push button



Alarm & Event

Event type	Alarm input, motion detection, audio detection, periodical, network link down.
Alarm action	Network storage, edge storage, FTP, SMTP, HTTP event, HTTPS, alarm out pre and post event image.

Network

Users	5 simultaneous users
Security	Multiple user access levels with password protection, HTTPS encryption
Supported protocols	IPv4, IPv6, Bonjour, TCP/IP, DHCP, DNS, DynDNS, PPPoE, ARP, ICMP, FTP, SMTP, NTP, UPnP, RTSP, RTP, RTCP, HTTP, HTTPS, SSL, TCP, UDP
ONVIF	2.4 & Profile S

General

Housing	Aluminum Alloy
Ingress Protection	IP66 rated weatherproof housing
Impact Protection	IK10 rated vandalproof housing
Other(s)	-
Operating conditions	Starting temperature: -10 ~ 60°C Humidity 10-100% RH Working temperature: -30 ~ 60°C Humidity 10-100% RH
Dimensions	φ118 x 96mm
Weight	696g excl. power supply
Included accessories	Quick installation guide, mounting and connector kit.
Optional accessories	AZ-J01, AD-M06
Certification	CE, FCC, RoHS
Language	Chinese, Croatian, Czech, Danish, Dutch, English, French, German, Greek, Hungarian, Italian, Japanese, Korean, Polish, Polish, Portuguese, Russian, Slovak, Spanish, Swedish, Turkish

System Requirements

Operating system	Windows XP / 7 / 8 / 8.1, MAC OS, Linux
Browser	Internet Explorer 9 / 10 / 11, Chrome, Firefox, Safari

