

# **ZAVIO IR Speed Dome**

---

## **Quick Installation Guide**

# Quick Installation Guide

Please follow the installation steps below to set up your IP camera.

Check the package contents with the list below. **See P.2**

Physical overview. **See P.3**

I/O Terminal Block Circuit. **See P.4**

I/O Terminal Block Pin Definition. **See P.4**

Installation of hardware and connection of all cables. **See P.4**

Lighting environment. **See P.7**

Change language of the web interface. **See P.7**

## Package contents

|                                 |   |
|---------------------------------|---|
| <b>Camera</b>                   | IP camera   |
| <b>Quick Installation Guide</b> | Brief product information and quick installation  |
| <b>Accessory</b>                | Wall mount bracket & screw pack<br>Power adapter & power cord, Desiccant bag,<br>Working gloves |

## Software

The following software and information are available online:

- Video Management Software
- Camera Installation Tool
- User manuals
- Camera Language Packs

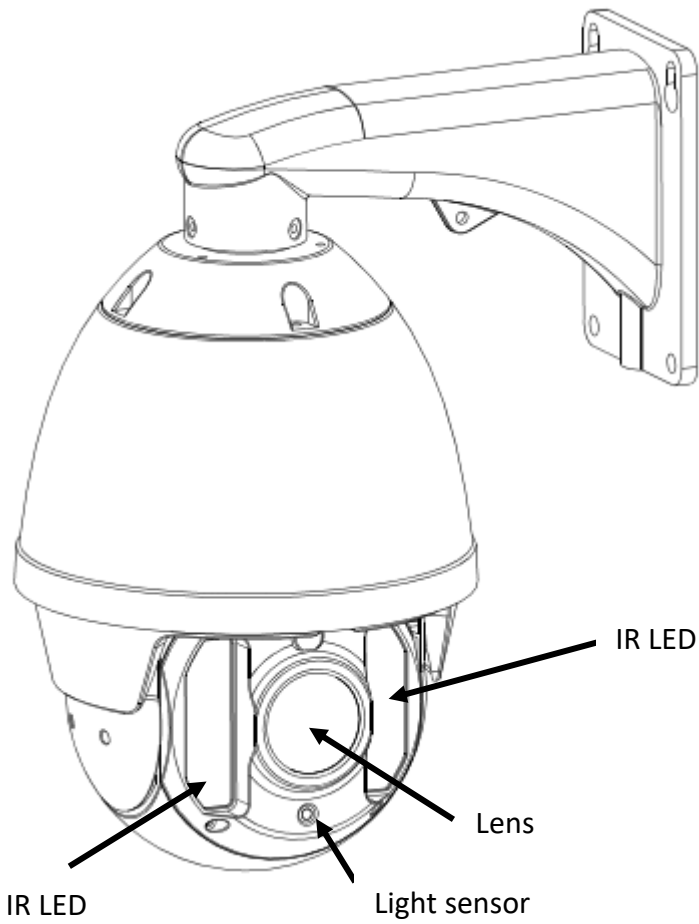
Download the above at <http://www.zavio.com/downloads.php> or scan QR-Code.



To activate Video Management Software, please enter the license key below.

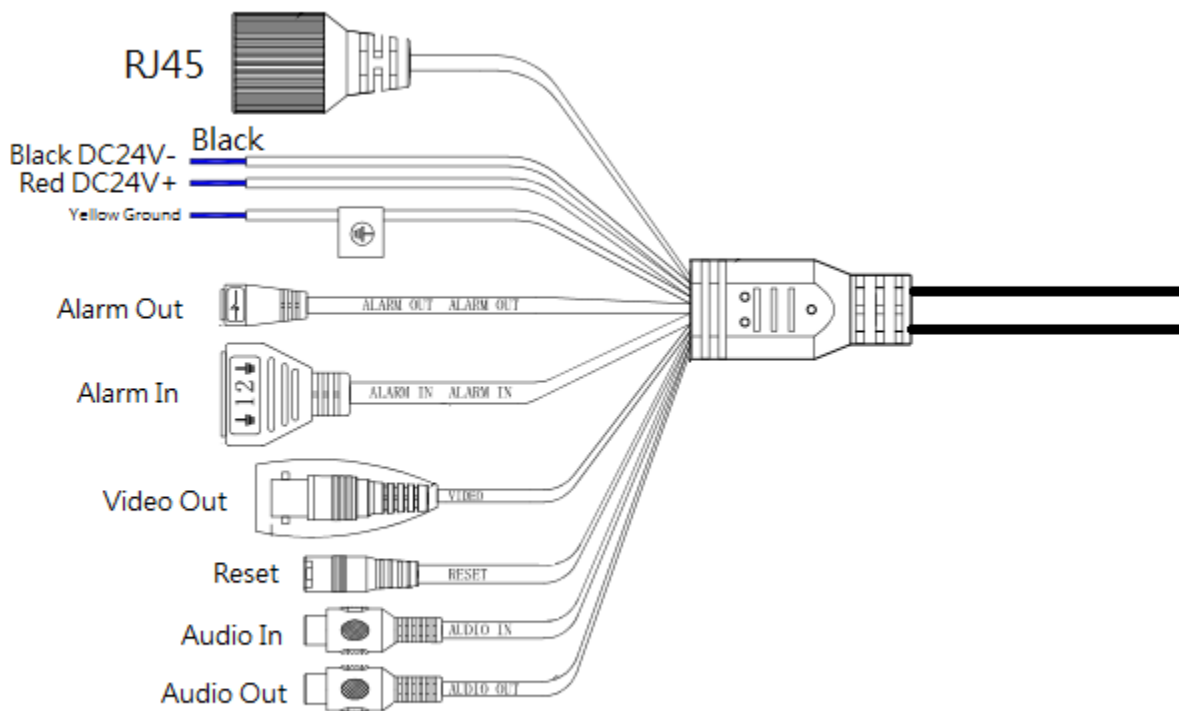
## Physical overview

### — Outer View —

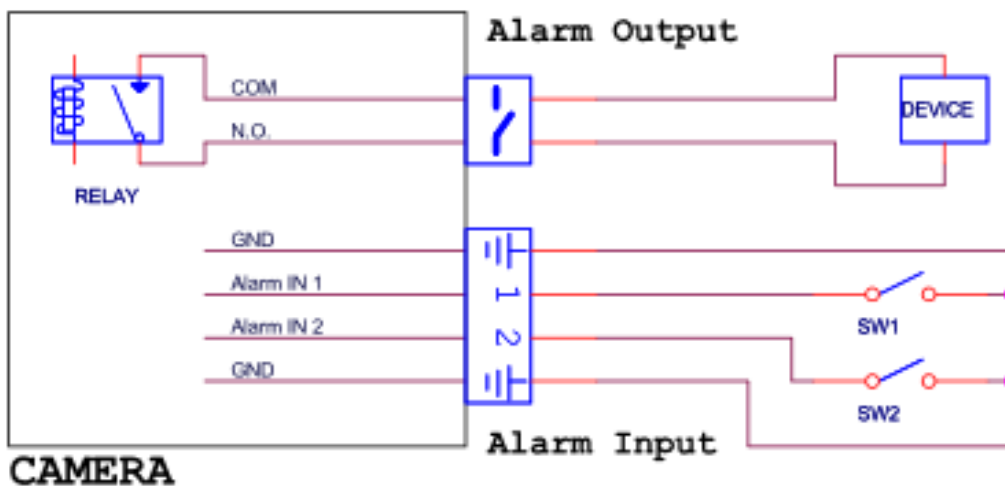


### — Cable —

Please use the supplied water proof RJ45 connector and seal all connectors tightly to avoid moisture.



## I/O Terminal Block Circuit



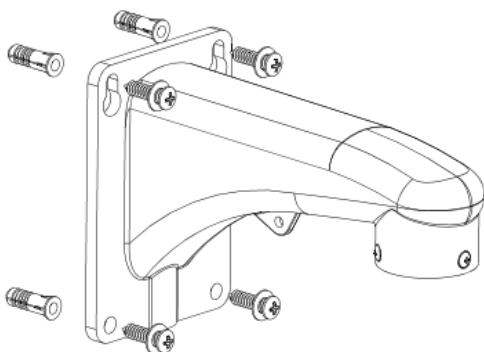
## I/O Terminal Block Pin Definition

| Definition    | Description   | Max. V/A                              |
|---------------|---|---------------------------------------|
| Alarm Input 1 | Connected to GND to activate, or leave floating (or unconnected) to deactivate. | 30V DC                                |
| Alarm Input 2 | Connected to GND to activate, or leave floating (or unconnected) to deactivate. | 30V DC                                |
| Alarm Output  | Relay contact output. Contact capacity with resistance load.                    | 0.3A at 125V AC<br>or<br>1A at 30V DC |

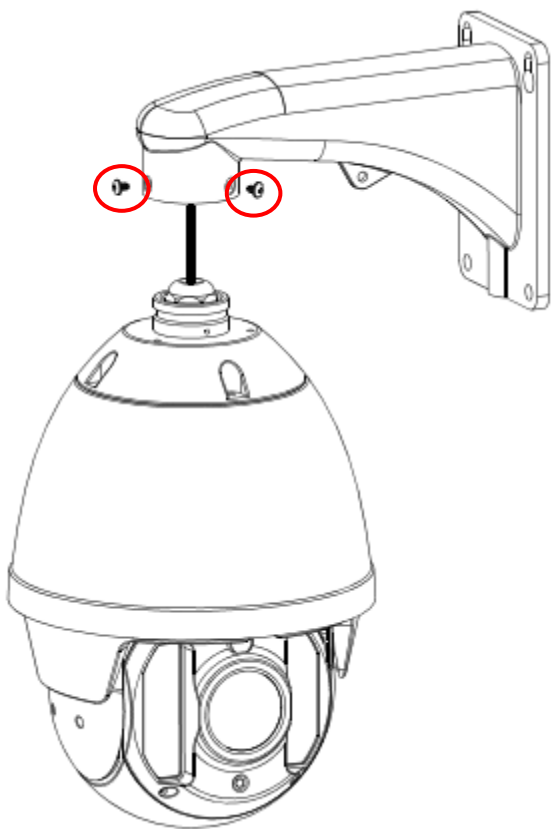
## Install the hardware and connect all cables

### A. Hardware installation

- Drill 4 pilot holes into the wall, and then hammer in threaded anchors.
- Drill another hole for routing cables.
- Feed power, RJ45 or I/O wires through the wall mount bracket.
- Make 4 sets of one spacer with one mounting screw, and fix the wall mount.

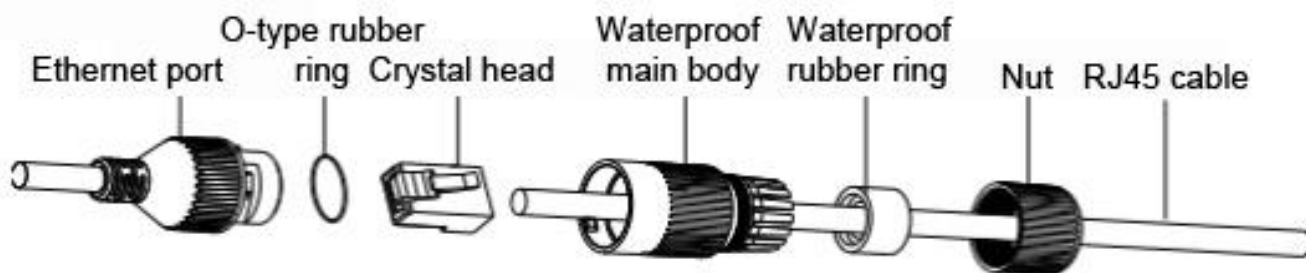


- e) Hook up the safety wire between the wall mount bracket and the camera.
- f) Connect power, RJ45 or I/O wires, and use foam tapes or seal foam to ensure the back-end connection is waterproof.
- g) Put all cables inside the wall mount and fix the following circled 3 screws.



**B. RJ45 waterproof connector**

- 1. Make sure all components are assembled as shown on the below graph.
- 2. Check that the Ethernet Port and the Waterproof main body are tightly fasten.



## C. TF Card installation



Remove the screws of ornament(2pcs),then take off ornament



Loosen the screws of horizontal installation panel(4pcs), then put up the panel for a little



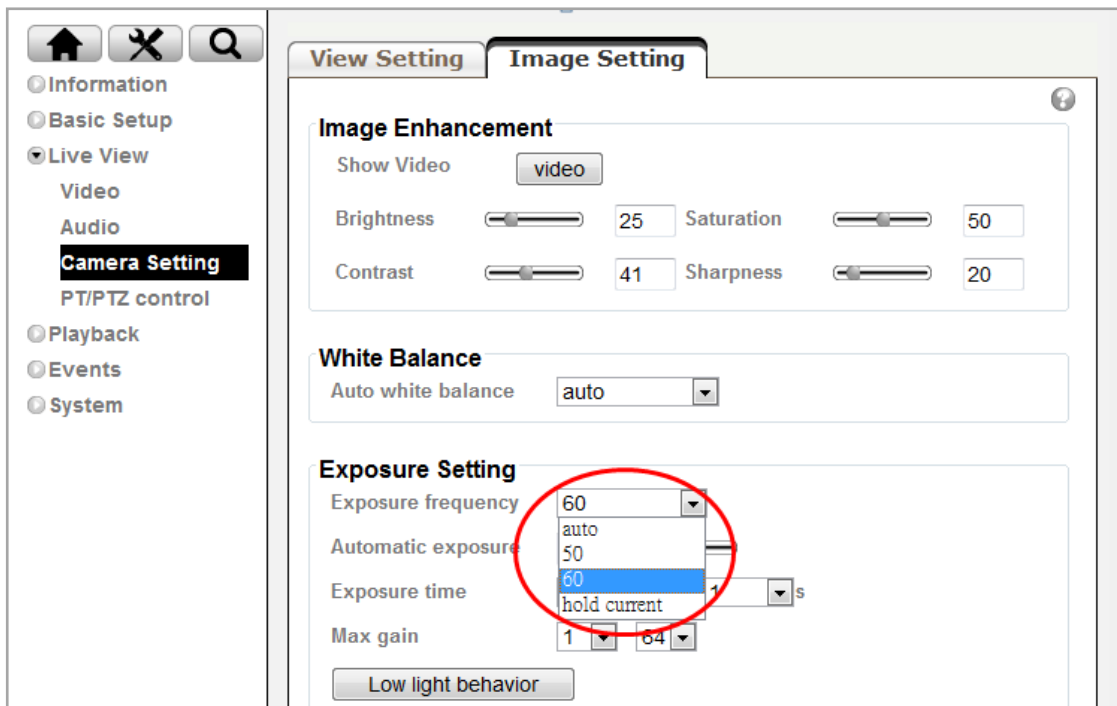
Loosen the screws of back cover(4pcs),and take off the cover



Insert TF card

## Lighting environment setting

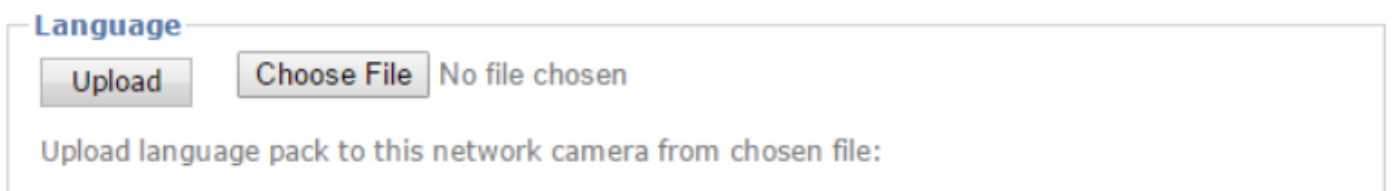
Default setting for lighting environment is Auto. You may change exposure frequency to 50 or 60 Hz at *Setting > Live View > Camera Setting > Image Setting*.



## Change the Web Interface into your preferred language

Before accessing the Setting page to change the language of the web interface, you must download the language pack.

1. Go to <http://www.zavio.com/downloads.php> and download the language pack corresponding to your IP camera model.
2. Go to the IP camera setting page and upload the preferred language from the language pack downloaded from step 1.  
Setting > System > Maintenance > Language > Upload



3. Once the upload is complete, the browser will automatically change the language.

