

# CS8240 | Speed Dome 2MP Outdoor IR Speed Dome

www.zavio.com

**ZAVIO**  
Innovating IP since 2006



- 1/2.8" 2MP Starlight CMOS sensor
- 30x Optical Zoom
- Smart Codec + H.265
- 1080p @ 30fps
- 120dB WDR
- 150m IR range with Adaptive IR
- ROI (Region Of Interest)
- Defog
- Operating conditions -40~ 60°C
- Micro SD/SDHC/SDXC card slot up to 128GB
- Two-way audio
- 2 alarm in / 1 alarm out
- 24V DC, 24V AC & PoE (802.3at)
- IP66 & IK10
- ONVIF 2.4 & Profile S

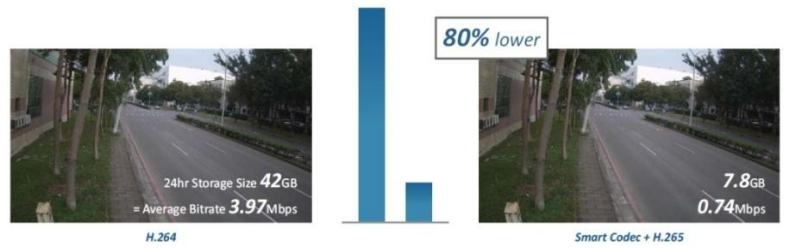
ZAVIO speed dome series are outdoor-ready vandal-resistant cameras designed for the most demanding video surveillance applications, offering wide area coverage with great details, featuring Smart Codec, Starlight sensor, extreme WDR, long distance Adaptive IR and 360° continuous rotation. Perfect for airports, harbours, stadium and industrial plants.

To benefit from the camera's maximum potential, please use with ZAVIO NVRs and Management Software Z+. They provide seamless integration with ZAVIO IP cameras, featuring embedded camera settings and batch maintenance. Download ZAVIOR mobile APP to get instant access to your devices and manage them anytime anywhere.

## Features

### Smart Codec + H.265

ZAVIO Smart Codec + H.265 reduces bandwidth and storage requirements by a stunning 80% compared to standard H.264 camera.



WDR off



WDR on

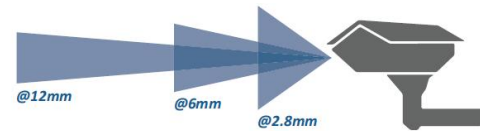
### WDR

Cameras with WDR will take multiple exposures of the full scene and merge them together to provide an image that extends further than the human eye can perceive.

### Adaptive IR

Provides 2 dimensions adaptation:

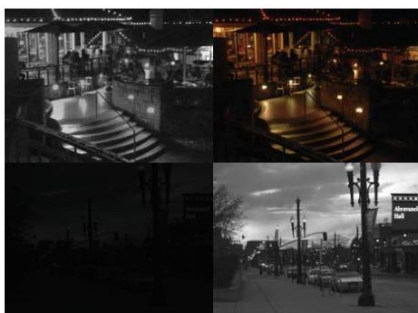
- 1) The angle of the IR illuminators automatically changes in sync with the camera's zoom position.
- 2) The brightness of the IR illuminators automatically adjusts to the scene content, effectively avoiding overexposure of objects that are too close to the camera.



Adaptive IR: Off



Adaptive IR: On



Other Cameras

ZAVIO Starlight Cameras

### Starlight

Combined with cutting-edge sensor technology, advanced noise reduction and high frame rate, Starlight cameras can capture highly detailed color images of fast moving objects even under challenging lighting conditions.

### ROI (Region Of Interest)

Defining a Region Of Interest will allow you to spend less bandwidth in areas that are less important while relocating resolution on the most relevant areas.



## Technical Specifications

### Camera

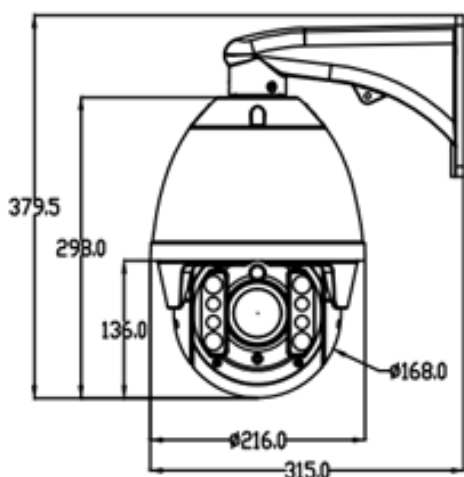
<b>Camera Type</b>	2MP Outdoor IR Speed Dome
<b>Image sensor</b>	1/2.8" Starlight CMOS sensor
<b>Lens</b>	4.5-135mm, F1.6(W)-4.4(T)
<b>Horizontal view angle</b>	57° - 2.02°
<b>IR working distance</b>	150m effective range with Adaptive IR
<b>Min</b>	0.001 lux @ F1.6 (color) 0.0001 lux @ F1.6 (B/W)
<b>WDR</b>	120dB
<b>Day/Night function</b>	Mechanical IR cut filter, Light sensor

### Video & Audio

<b>Resolutions</b>	Motion JPEG/H.264/H.265: 2 Profile from 1920 x 1080 to 320 x 240 (total 5 resolutions) 2 Profile from 640 x 480 to 320 x 240 (total 3 resolutions)
<b>Video compression</b>	Motion JPEG H.264 baseline/ main profile/high profile H.265
<b>Frame rate</b>	H.265/H.264: up to 30 fps at 1920 x 1080 Motion JPEG : up to 30 fps at 1920 x 1080
<b>Video</b>	Simultaneous Motion JPEG, H.264, H.265 Controllable frame rate and bandwidth Support unicast and multicast (RTSP)
<b>Image settings</b>	Rotation: mirror, flip, mirror flip Brightness, contrast, saturation, sharpness Overlay capabilities: time, date, text and privacy Image ROI 3D DNR Defog
<b>Audio support</b>	Two-way audio
<b>Audio compression</b>	G.711A

### I/O & Connector

<b>Ethernet</b>	RJ-45 Ethernet 10/100 Base -T
<b>Power Supply</b>	Terminal block, - 24V DC, + 24V DC, GND Power consumption: Max 36W PoE(Power over Ethernet) built-in IEEE 802.3at
<b>Alarm I/O</b>	Terminal block, 2/1
<b>Audio connector</b>	RCA
<b>Analog video output</b>	BNC
<b>RS-485</b>	-
<b>Edge storage</b>	Micro SD/SDHC/SDXC up to 128GB
<b>Buttons</b>	Reset push button



### Alarm & Event

<b>Event type</b>	Alarm input, motion detection, audio detection, periodical, network link down.
<b>Alarm action</b>	Network storage, edge storage, FTP, SMTP, HTTP event, HTTPS, alarm out pre and post event image.

### Network

<b>Users</b>	10 simultaneous users
<b>Security</b>	Multiple user access levels with password protection, HTTPS encryption
<b>Supported protocols</b>	IPv4, IPv6, Bonjour, TCP/ IP, DHCP, DNS, DynDNS, PPPoE, ARP, ICMP, FTP, SMTP, NTP, UPnP, RTSP, RTP, RTCP, HTTP, HTTPS, SSL, TCP, UDP
<b>ONVIF</b>	2.4 & Profile S

### General

<b>Housing</b>	Aluminum Alloy
<b>Ingress Protection</b>	IP66 rated weatherproof housing
<b>Impact Protection</b>	IK10 rated vandal-proof housing
<b>Operating conditions</b>	Starting temperature: -20 ~ 60°C Humidity 10-100% RH Working temperature: -40~ 60°C Humidity 10-100% RH
<b>Dimensions</b>	φ216 x 379.5mm
<b>Weight</b>	6.7kg excl. power supply
<b>Accessories (included)</b>	Quick installation guide, wall mount, mounting and connector kit.
<b>Accessories (optional)</b>	AS-C01 (Joystick Controller)
<b>Certification</b>	CE, FCC, RoHS
<b>Language</b>	Chinese, Croatian, Czech, Danish, Dutch, English, French, German, Greek, Hungarian, Italian, Japanese, Korean, Polish, Polish, Portuguese, Russian, Slovak, Spanish, Swedish, Turkish

### System Requirements

<b>Operating system</b>	Windows XP / 7 / 8 / 8.1, MAC OS, Linux
<b>Browser</b>	Internet Explorer 9 / 10 / 11, Chrome, Firefox, Safari

