



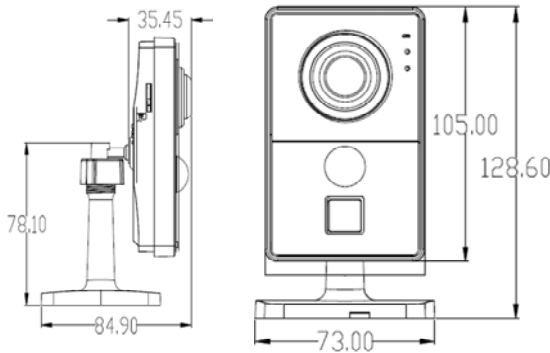
FEATURES

- ◆Max. resolution 2MP(1920X1080 @ 25fps)
- ◆Support low bit rate, low delay and ROI enhance encoding
- ◆H.265 high effective compression, save bandwidth and storage space
- ◆Support multi-line OSD, OSD color can be adjusted
- ◆High effective IR leds, long service life, IR distance can reach 1-5m
- ◆Support smart IR, Prevent infrared overexposure at night
- ◆ICR infrared filter plate automatic switch, achieve real D/N monitoring
- ◆Support corridor mode, increase the monitoring area in longitudinal strip environment
- ◆Support PoE , Support 3D digital N/R,TWDR
- ◆Support auto electronic shutter function, adapt different monitoring environment
- ◆Support bidirectional talk , Support 1CH alarm input / 1CH alarm output
- ◆Support GB28181, Onvif access , Support Email, FTP, NTP
- ◆Support HTTPS encryption transmission

Application scene

Applicable to buildings, supermarkets, hotels, banks, road, warehouse, underground parking lot, bar, pipeline, garden and other dark or lightless environment, which require HD image place, suitable for backlighting environment.

DIMENSION



WIRE INTERFACE



1. WPS/ RST
2. Network interface
3. Alarm interface
4. Power supply interface
5. Bracket

SPECIFICATION

| Param | Model | F4216 |
|-----------------------------|-------|--|
| CAMERA | | |
| Image sensor | | 1/2.8" 2 M progressive scan CMOS |
| Min.illumination | | 0Lux/F1.4 (IR on) ,Color : 0.06Lux/F1.4 B/W:0.01Lux/F1.4 |
| IR distance | | 1-5m (1*Array IR leds) |
| Electronic shutter | | Auto/ Manual(1/25~1/10000),FLK |
| Day/ Night | | ICR switch, auto, color, B/W, ext |
| Lens | | 3.6mm Prime lens |
| Lens interface | | M12 |
| S/N ratio | | ≥50dB (AGC OFF) |
| Output | | PAL/NTSC adjustable |
| WDR | | OFF/TWDR/DWDR (Low/Middle/High) |
| Light board control | | Auto/ Manual/ Off |
| 3D N/R | | Off/ Low/ Middle/ High/ Higher |
| Defog | | Off/ Low/ Middle/ High |
| Mirror | | Off/ Horizontal/ Vertical/ 180° rotation/ Corridor mode (90° rotation, 270° rotation) |
| Slow Shutter | | / |
| Exposure Control | | Auto/ Manual |
| Image setting | | Brightness, contrast, sharpness, saturation, chroma |
| AUDIO/VIDEO ENCODING | | |
| Video compression | | H.265/H.264 |
| H.265 Encoding | | Main Profile |
| H.264 Encoding | | BaseLine / Main Profile / High Profile |
| Encoding features | | NTSC:main stream : 1920*1080 @30fps/sub-stream : D1@30fps PAL:main stream : 1920*1080 @25fps/sub-stream : VGA@25fps |
| Max. Resolution | | 2M(1920X1080) |
| Video bit rate | | Constant bit rate, variable bit rate (16kbps-8000kbps) |
| Video type | | Composite streaming/video streaming |
| Audio compression | | G.711u |
| Audio bit rate | | 64Kbps |
| Audio control | | Support input/ output volume gain control |
| ROI | | Support 4 zones, multi-stage level |
| Watermark function | | / |
| NETWORK | | |
| Network protocol | | TCP/IP,UDP,HTTP,DHCP,RTSP,DDNS,NTP,PPPoE,UPnP,SMTP,FTP |
| Access protocol | | ONVIF, GB28181 (optional) |
| Browser | | Support IE 11 and above , Chrome,Firefox |
| Video preview meanwhile | | 4 |
| User permission | | User add/modify/delete, permission management |
| Safe mode | | Authorized user name and password, HTTPS encryption and AES link encryption, RTSP verification |
| Motion detection | | Set detection zone, Multi-level sensitivity can be set |
| Tampering alarm | | 1 zone |
| Privacy Mask | | 4 zones |
| Intelligent analysis | | Target counting, item left/lost, area detection, Line Crossing detection |
| Event linkage | | Snapshot, TF card video, Email sending, alarm output linkage, preset linkage |
| Multicast function | | Support |
| ANR | | Support |
| Mobile surveillance | | Support Apple, Android |
| Device exception detection | | Support network disconnected, IP conflict, illegal access alarm , Disk Error/Full |
| OSD | | Title, time and date overlay, multi-line OSD, OSD color optional |
| DST | | Support |
| Snapshot | | Support snapshot, snapshot resolution is encoding resolution |
| System update | | Support remote update |
| Wifi Config | | Work Mode : AP/STA |
| INTERFACE | | |
| Network interface | | RJ45 10M/100M Access connections |
| Analog video output | | / |
| Alarm input | | 1CH input |
| Alarm output | | 1CH output |
| WPS/RST | | Support |
| TF card | | Support Max 128G, Micro SD(SDHC /SDXC) card local-storage |
| Other | | / |
| GENERAL | | |
| Operating temperature | | -20°C ~ 55°C |
| Operating humidity | | 0 % -90 % |
| Protection grade | | / |
| Power supply | | DC12V with PoE |
| Power consumption (max) | | <5W |
| Dimensions(mm) | | 128.6(H)*84.9(L) |
| Weight/PCS(g) | | |