

ZAVIO F3210/ F3215 2MP Day & Night IR Cube Camera



- 2 megapixel CMOS sensor
- True day & night with automatic removable IR-cut filter
- 6 high performance IR LEDs and up to 10m distance
- Built-in PIR sensor for human detection
- MicroSD card slot
- Power over Ethernet (F3210 only)
- Wireless 802.11b/g/n with WPS (F3215 only)



The 2 megapixel F3215/ F3210 compact camera is ideal for securing locations such as home, retail shop or small office. This camera can offer 2 megapixel Full HD resolution with everything you need, including H.264, wireless (F3215 only), PoE (F3210 only), automatic removable IR-cut filter, IR LEDs, microSD card slot, two way audio support and a passive infrared (PIR) sensor for detecting movement. Not only equipped with ZAVIO's recognized superior image quality technology and stable system features, F3215/F3210 also provides users the most practical live viewing and recording solutions to satisfy varied requirements. Compatible with ZAVIO's free 64 channels NVR software, free mobile video management app and plug-and-play solution, users can easily setup a surveillance system and 24-7 monitor from mobile devices, PC or laptop without any extra cost.



Related models

Model Name	F3210	F3215	F3115
Feature	Full HD 1080p	Full HD 1080p	HD 720p
	ICR + IR 10m	ICR + IR 10m	ICR + IR 10m
	PIR	PIR	PIR
	Built-in mic & speaker	Built-in mic & speaker	Built-in mic & speaker
	PoE	Wireless 11n with WPS	Wireless 11n with WPS

Features

- 2 megapixel CMOS image sensor
- Multiple H.264, MPEG-4, MJPEG video compression
- 30 fps at 1920 x 1080
- Day & night functionality with automatic removable IR-cut filter
- 6 high performance IR LEDs and up to 10m distance
- 4.0 mm, F1.8 fixed lens
- Built-in MicroSD card slot
- Built-in microphone and speaker for two-way audio detection
- Tampering detection
- 1 x alarm input, 1 x alarm output
- Power over Ethernet (IEEE 802.3af) (F3210)
- Wireless 802.11b/g/n with WPS (F3215)
- RTC with built-in battery
- SSL v3 advanced HTTPS encryption
- Supports Samba network storage
- Supports Firefox, Safari and Mac OS
- Multi-lingual user interface
- ONVIF 2.3 and profile S compliant
- Free 64 channels ZAVIO CamGraba 2.0 NVR software
- Supports True Plug & Play cloud solution*

ZAVIO IP Surveillance Solutions

• Free Plug & Play Cloud Solution

You can watch Live Video on your computer or the mobile app on your iOS/ Android device. Setup is as easy as 1-2-3, and it's completely free!

Step 1. Now, go to sat.qlync.com

Step 2. Create your account

Step 3. Add cameras to your account

Please go to zavio.com for a list of Cloud Solution support camera models



• Free 64ch NVR Software

The most professional NVR software you can get for free!



• 4ch/ 8ch Standalone NVR

The easiest way to view, record and playback up to 8 Full HD cameras all in real-time.



• NVR Partners

ZAVIO IP Cameras are supported by a wide range of 3rd party NVR software and devices.

Please go to zavio.com for a list of our partners.

• ONVIF

ONVIF 2.3 & Profile S compliant



Application



1. Retail
2. Home
3. Office

*Cloud solution only supports up to 720p resolution in wireless mode

Technical Specifications

Camera	
Models	F3210/ F3215 2MP day & night IR cube camera
Image sensor	1/2.7" progressive scan CMOS 2 megapixel sensor
Lens	F1.8, 4.0 mm, fixed lens
Angle of view	45° vertical, 77° horizontal, 88° diagonal
Digital zoom	10x digital
Min illumination	0.2 Lux at F2.0 (color) 0.001 Lux at F2.0 (b/w) 0 Lux at F2.0 (IR LEDs on)
IR working distance	10m effective range Adjustable brightness via FW
IR LEDs	6pcs (850nm)
Day/Night function	Mechanical IR cut filter
Shutter time	1/2 ~ 1/10,000 sec.
S/N ratio	39dB

Video	
Video compression	Motion JPEG MPEG-4 part 2 (ISO/IEC 14496-2) simple profile H.264 baseline profile
Resolutions	Motion JPEG: 4 resolutions from 1920 x 1080 to 320 x 240 via API, 4 selections via configuration web page MPEG-4: 4 resolutions from 1920 x 1080 to 320 x 240 via API, 4 selections via configuration web page H.264: 4 resolutions from 1920 x 1080 to 320 x 240 via API, 4 selections via configuration web page
Frame rate	Motion JPEG: up to 30 fps at 1920 x 1080 MPEG-4: up to 30 fps at 1920 x 1080 H.264: up to 30 fps at 1920 x 1080
Video streaming	Simultaneous Motion JPEG, MPEG-4, H.264 and 3GPP (3 streams) Controllable frame rate and bandwidth Support unicast and multicast Support 3GPP/ ISMA RTSP (Real Time Streaming Protocol)
Image settings	Brightness, contrast, saturation WDR enhanced Rotation: mirror, flip, mirror flip Overlay capabilities: time, date, text and privacy Image

Network	
Security	Multiple user access levels with password protection, HTTPS encryption
Supported protocols	Bonjour, TCP/ IP, DHCP, DNS, DynDNS, PPPoE, ARP, ICMP, FTP, SMTP, NTP, UPnP, RTSP, RTP, RTCP, HTTP, HTTPS, SSL, TCP, UDP, 3GPP/ ISMA
Users	10 simultaneous users Unlimited number of users using multicast

Alarm and Event Support	
Alarm and event management	Input: motion detection Output: network storage, FTP, SMTP, pre-and post alarm buffer
Alarm input/output	Alarm input 5V DC
PIR sensor	Passive infrared (PIR) motion sensor. Max range: 6m

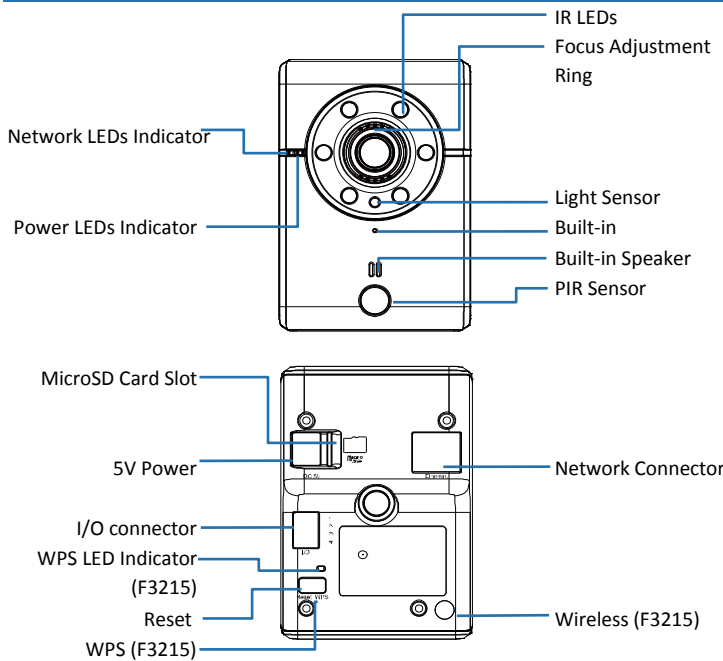
System	
Connectors	RJ-45 Ethernet 10/ 100 Base-T DC power Jack Reset & WPS button Terminal blocks for 1 alarm input, 1 output
Local storage	MicroSD Card slot
LED Indicator	Power status indicator Network link indicator

Audio	
Audio streaming	Two-way (full duplex)
Audio compression	G.711 μ law, a law, AMR

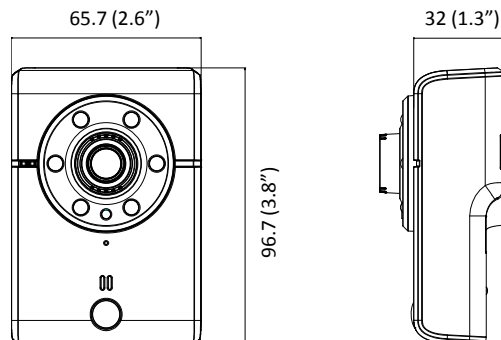
General	
Casing	PC + ABS casing
Power	5V DC, 1.5A, Max 7.5W
Operating conditions	0 ~ 50 °C (32 ~ 122 °F)
Installation, management, and maintenance	ZAVIO camera management tool on CD and web-based configuration. Configuration of backup and restore firmware upgrades over HTTP, firmware available at www.zavio.com
Minimum web browsing requirement	Pentium 4 2.8GHz (or equivalent AMD) 256MB RAM graphic cards (or equivalent on-board graphic cards) 1G RAM Window 2000, 2003, XP, Vista or Windows 7 Mac OS Leopard 10.5 or later
Dimensions (HxWxD)	96.7 x 65.7 x 32 mm (3.8" x 2.6" x 1.3")
Weight	116.5g (0.3lb) excl. power supply
Included accessories	Quick installation guide, CD (IP surveillance software, IP installer, user manual, and language packs), mounting and connector kits, power supply
Certification	CE, FCC, RoHS

Integration	
Video management	ZAVIO CamGraba 2.0 IP System software, for viewing, recording and archiving up to 64 cameras See http://www.zavio.com/suport_softwares.php for more software application

Part Names and Functions



Dimensions



Unit: mm (inches)



