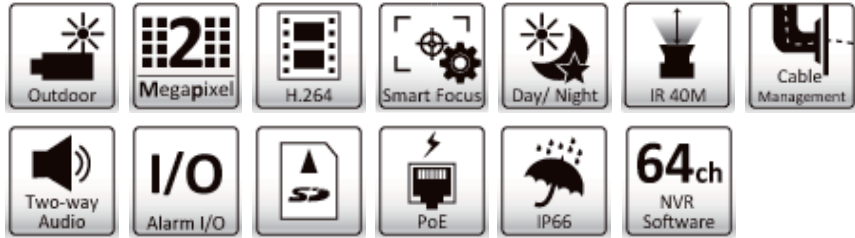


# ZAVIO B8210 2MP Extreme Outdoor Bullet Camera



- Full HD 1080p
- Latest generation Sony Exmor sensor
- P-iris + Mototized lens
- Super wide angle + Smart IR 40m
- -40°- 60°C extreme condition with integrated fan & heater



The all new ZAVIO B8210 extreme outdoor bullet camera featuring an innovative design can blend well with the extreme environment. This 2 megapixel camera equipped the latest generation Sony Exmor sensor, can be expected to deliver higher video quality.

Built in fan and heater protects camera from -40°C to 60°C extreme temperature, the IP66 rated certified construction makes the camera to withstand harsh outdoor conditions and severe weather. The bullet also outfitted with super wide angle and smart IR, gives a viewing range of 40m to achieve excellent day & night functionality.



The B8210 is used in applications ranging from banking and transportation to high latitude and public area. Compatible with ZAVIO CamGraba2.0, the most professional NVR software for free bundled can support up to 64 IP cameras and plug-and-play cloud solution, you can easily setup a surveillance system and 24-7 monitor from mobile devices, PC or laptop without any extra cost.

### Related models

Model Name	B7210	B7320	B7510	B8210
Feature	Outdoor IP66	Outdoor IP66	Outdoor IP66	Outdoor IP66
	Full HD 1080p	3MP + WDR	5MP	Full HD 1080p
	Varifocal	Varifocal	Varifocal	Motorized
	ICR + IR 30m	ICR + IR 30m	ICR + IR 30m	ICR + IR 40m
	Built-in fan & heater	Built-in fan & heater	Built-in fan & heater	Built-in fan & heater
	PoE	PoE	PoE	PoE

## Features

- 2 megapixel progressive scan CMOS sensor
- H.264 and Motion JPEG compression
- 30 fps at 1920 x 1080
- Day & night functionality with automatic removable IR-cut filter
- 6 high performance IR LEDs and up to 40m distance
- 3 - 9mm, F1.3, motorized, P-iris lens
- Smart focus system for remote focal & focus control
- Analog video output through RCA connector
- Built-in SD card slot
- Built-in fan & heater, enabling camera in severe environment (-40 - 60°C)
- Power over Ethernet (IEEE 802.3af/at)
- RTC with built-in battery
- Tampering detection
- 2 x alarm input, 2 x alarm output
- Two-way audio, line in and line out
- IP66 rated weatherproof housing
- SSL v3 advanced HTTPS encryption
- Supports Samba network storage
- Multi-lingual user interface
- ONVIF 2.3 and Profile S compliant
- Free 64 channels ZAVIO CamGraba 2.0 NVR software
- Supports True Plug and Play Cloud Solution

## ZAVIO IP Surveillance Solutions

### • Free Plug & Play Cloud Solution

You can watch Live Video on your computer or the mobile app on your iOS/ Android device. Setup is as easy as 1-2-3, and it's completely free!

Step 1. Now, go to [sat.qlync.com](http://sat.qlync.com)

Step 2. Create your account

Step 3. Add cameras to your account

Please go to [zavio.com](http://zavio.com) for a list of Cloud Solution support camera models



### • Free 64ch NVR Software

The most professional NVR software you can get for free!



### • 4ch/ 8ch Standalone NVR

The easiest way to view, record and playback up to 8 Full HD cameras all in real-time.



### • NVR Partners

ZAVIO IP Cameras are supported by a wide range of 3rd party NVR software and devices.

Please go to [zavio.com](http://zavio.com) for a list of our partners.

### • ONVIF

ONVIF 2.3 & Profile S compliant



## Application



1. Banking
2. Transportation
3. Public Area

# Technical Specifications

Camera	
<b>Models</b>	B8210 2MP day & night outdoor bullet IP camera
<b>Image sensor</b>	1/2.8" CMOS sensor
<b>Lens</b>	F1.6, 2.8 - 12mm motorized, P-iris lens
<b>Angle of view</b>	33° - 107° horizontal
<b>Min illumination</b>	0.05 lux @ F1.6 (color) 0.001 lux @ F1.6 (B/W) 0 lux @ F1.6 (IR LED on)
<b>IR working distance</b>	40m effective range Adaptive IR, adjustable brightness via FW
<b>IR LEDs</b>	6 pcs (850nm)
<b>Day/Night function</b>	Mechanical IR cut filter Light sensor

Video	
<b>Video compression</b>	Motion JPEG H.264 baseline/ main profile/ high profile
<b>Resolutions</b>	Motion JPEG/ H.264: 2 profiles from 1920 x 1080 to 320 x 240 2 profiles from 640 x 480 to 320 x 240
<b>Frame rate</b>	Motion JPEG: up to 30 fps at 1920 x 1080 H.264: up to 30 fps at 1920 x 1080
<b>Video streaming</b>	Simultaneous Motion JPEG, H.264 Controllable frame rate and bandwidth Support unicast and multicast (Real Time Streaming Protocol)
<b>Image settings</b>	Rotation: mirror, flip, mirror flip WDR enhanced Brightness, contrast, saturation, sharpness Overlay capabilities: time, date, text and privacy image

Audio	
<b>Audio streaming</b>	Two-way (full duplex) Line in/ line out
<b>Audio compression</b>	G.711 μ law, a law, AMR

Network	
<b>Security</b>	Multiple user access levels with password protection, HTTPS encryption
<b>Supported protocols</b>	Bonjour, TCP/ IP, DHCP, DNS, DynDNS, PPPoE, ARP, ICMP, FTP, SMTP, NTP, UPnP, RTSP, RTP, RTCP, HTTP, HTTPS, SSL, TCP, UDP
<b>Users</b>	5 simultaneous users Unlimited number of users using multicast

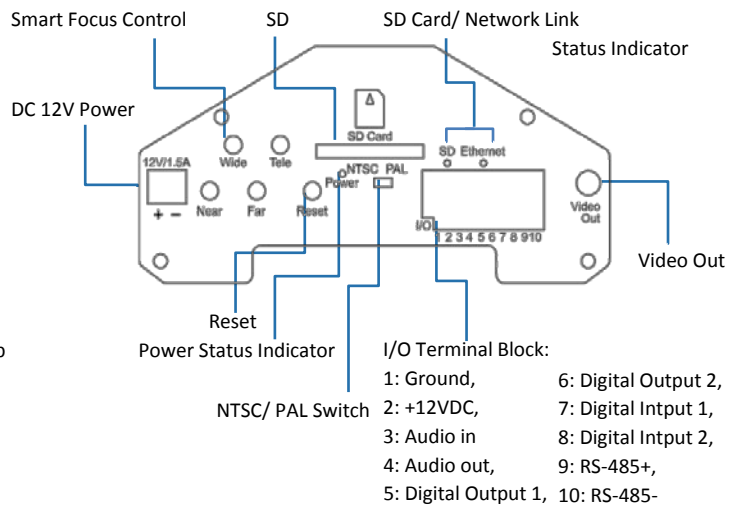
Alarm and Event Support	
<b>Alarm and event management</b>	Input: alarm buffer, alarm input, motion detection Output: network storage, FTP, SMTP, HTTP event, alarm output Pre-and post alarm buffer

System	
<b>Connectors</b>	RJ-45 for Ethernet 10/100 Base-T (with PoE) 2 pin terminal blocks for DC power Smart Focus control buttons Terminal blocks for alarm input/ alarm output, Line in/ line out Reset push switch NTSC/ PAL switch RCA connector for analog video output
<b>Local storage</b>	SD/ SDHC card slot
<b>Software integration</b>	ONVIF 2.3 and Profile S compliant
<b>LED indicator</b>	Power status indicator Network link indicator SD card status indicator

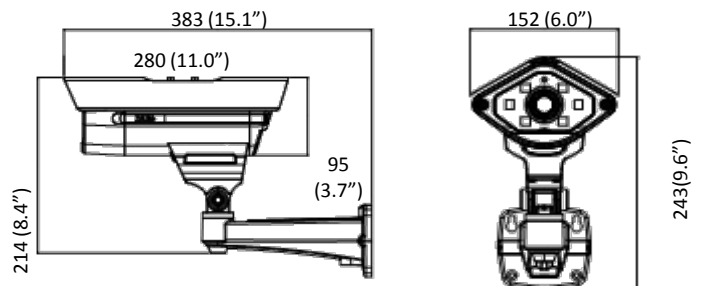
General	
<b>Casing</b>	Aluminum casing
<b>Housing</b>	IP66 rated weatherproof housing
<b>Power</b>	12V DC, 1.5A Power consumption: Max. 13W B8210: PoE (Power over Ethernet) built-in IEEE 802.3af/ at (Class 0)
<b>Operating conditions</b>	-40 ~ 60 °C (-40 ~ 140 °F)
<b>Installation, management, and maintenance</b>	ZAVIO camera management tool on CD and web-based configuration. Configuration of backup and restore firmware upgrades over HTTP, firmware available at <a href="http://www.zavio.com">www.zavio.com</a>
<b>Minimum web browsing requirement</b>	Pentium 4 2.8GHz (or equivalent AMD) 256MB RAM graphic cards (or equivalent on-board graphic cards) 1G RAM Windows 2008, XP, Vista or Windows 7 Mac OS Leopard 10.5 or later
<b>Dimensions (HxWxD)</b>	383 x 152 x 243mm (incl. bracket) (15.1" x 6.0" x 9.6
<b>Weight</b>	2170g (4.78lb) excl. power supply
<b>Included accessories</b>	Quick installation guide, CD (IP surveillance software, IP installer, user manual, and language packs), mounting and connector kits
<b>Certification</b>	CE, FCC, RoHS

Integration	
<b>Video management software</b>	ZAVIO CamGraba 2.0 IP System software, for viewing, recording and archiving up to 64 cameras Visit <a href="http://www.zavio.com/product.php?id=50">http://www.zavio.com/product.php?id=50</a> for more software application

## Part Names and Functions



## Dimensions



Unit: mm (inches)

