

D510E Dome IP Camera

The D510E IP Camera offers a cost-effective, IP-based solution for professional security surveillance and remote monitoring, which makes it an ideal choice for securing offices, shops and other indoor and outdoor facilities.



Superior Image Quality

The D510E is equipped with a high-sensitivity progressive scan CMOS sensor and delivers crystal clear images at 30 frames per second in VGA resolution.

Simultaneous MPEG-4 and Motion JPEG

MPEG-4 and Motion JPEG streams can be sent simultaneously from each channel. This allows users to have different viewing and recording settings that are optimized for image quality and efficient bandwidth/storage use.

Video motion detection

D510E fixed dome IP camera provide powerful event management functions including pre/post alarm image buffering. Events can be triggered for example by video motion detection and external input devices, and responses can include image upload, alarm notifications and activation of external devices such as lights, doors or alarms.

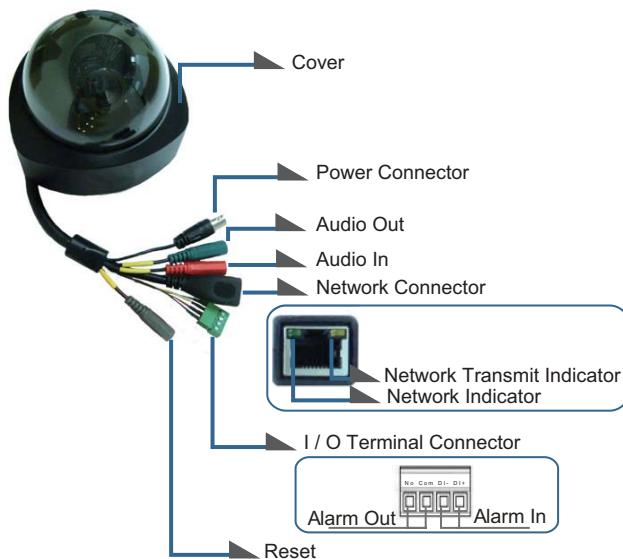
Power over Ethernet

D510E supports Power over Ethernet, allowing power to be delivered via the network, which eliminates the need for power cables and reduces installation costs.

Technical Specifications

Models	D510E	Alarm and event management	Events triggered by video motion detection external input or according to a schedule Image upload over FTP, email and HTTP Notification over TCP, email, HTTP and external output pre- and post alarm buffer
Image sensor	1/4" Progressive scan CMOS sensor	Connectors	RJ-45 for Ethernet 10/100 Base-T (with PoE) DC power jack Terminal blocks for 1 alarm input, 1 output Reset push switch 3.5mm jack for Mic/Line in, 3.5 mm jack for line out
Lens	F1.9, 4.6 mm	Casing	PC+ ABS casing
Angle of view	52° diagonal	Memory	RAM: 64MB, Flash: 8MB
Digital zoom	10x digital	Power	12V DC, 1A, Max 5W PoE (Power over Ethernet) Built-in IEEE 802.3af
Min Illumination	0.5Lux	Operating conditions	0~50°C (32~122°F)
S / N Ratio	50dB	Installation, management and maintenance	ZAVIO Camera Management tool on CD and web-based configuration. Configuration of backup and restore. Firmware upgrades over HTTP, firmware available at www.zavio.com
Video compression	Motion JPEG MPEG-4 Part 2 (ISO/IEC 14496-2), Profile: SP	Minimum web browsing requirements	Pentium 4 1.8GHz (or equivalent AMD) 64MB RAM graphic cards (or equivalent on-board graphic cards) 512MB RAM Windows 98, ME, 2000, 2003, XP, Vista Mac OS Leopard 10.5
Resolutions	Motion JPEG: 3 resolutions from 640x480 to 160x120 via API, 3 selections via configuration web page MPEG-4: 3 resolutions from 640x480 to 160x120 via API, 3 selections via configuration web page	Supported protocols	Bonjour, TCP/IP, DHCP, PPPoE, ARP, ICMP, FTP, SMTP, DNS, NTP, UPnP, RTSP, RTP, HTTP, TCP, UDP, 3GPP/SMARTSP
Frame rate	Motion JPEG: Up to 15 fps at 640x480 (4:3 resolutions) MPEG-4: Up to 30 fps at 640x480 (4:3 resolutions)	Included accessories	Quick Installation Guide, CD (IP Surveillance Software, Intelligent IP Installer, User Manuals and Language Pack) mounting and connector kits, power supply 12V DC
Video streaming	Simultaneous Motion JPEG and MPEG-4 (Dual streaming) Controllable Frame rate and bandwidth, Support Unicast and Multicast Support 3GPP/SMARTSP (Real Time Streaming Protocol)	Video management software	ZAVIO Intelligent IP Installer_Video management software for viewing, recording and archiving up to 16 cameras See http://www.zavio.com/support.htm for more software applications
Image settings	Rotation: Mirror, Flip, Mirror Flip brightness, contrast, saturation, hue Overlay capabilities: time, date, text and privacy image	Approvals	CE, FCC, RoHS
Shutter time	1/60 to 1/30000 sec.	Dimensions (HxWxD) and weight	110 x 130 (φ) mm (4.3" x 5.1") 434.7g (17.4oz) excl. power supply
Audio	Two-way (full duplex) External microphone input or line input Audio compression: G.711 PCM, 8 kHz, 64 kbit/s		
Instant Messenger	Support MSN Live View (MSN 7.0, 7.5, 8.0)		
Security	Multiple user access levels with password protection, HTTPS encryption		
Users	5 simultaneous users Unlimited number of users using multicast		
Alarm Input/Output	Alarm input 5V/12V DC Alarm output Max 30W		

Physical Description



Basic Connection

